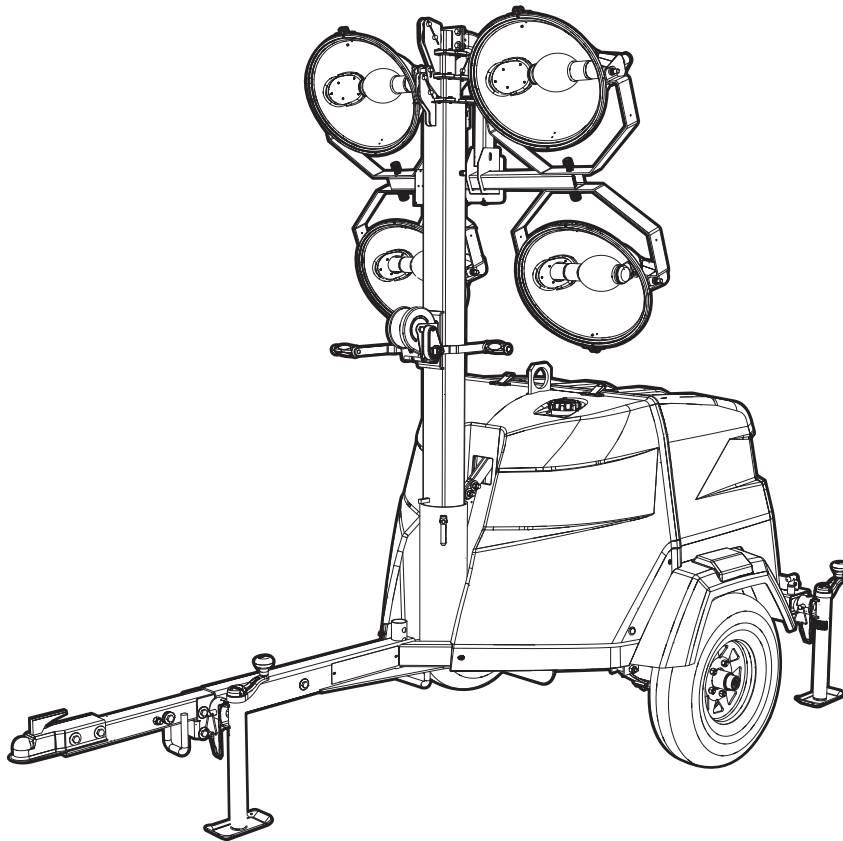


MLT6SC

Light Tower Parts Manual



02449

MODEL NUMBER: _____

SERIAL NUMBER: _____

DATE PURCHASED: _____

SAVE THIS MANUAL FOR FUTURE REFERENCE

 **WARNING**

Operating, servicing and maintaining this equipment can expose you to chemicals including engine exhaust, carbon monoxide, phthalates, and lead, which are known to the State of California to cause cancer and birth defects or other reproductive harm. To minimize exposure, avoid breathing exhaust, do not idle the engine except as necessary, service your equipment in a well-ventilated area and wear gloves or wash your hands frequently when servicing your equipment. For more information go to www.P65Warnings.ca.gov. (000393)

 **WARNING**

Breathing diesel engine exhaust exposes you to chemicals known to the State of California to cause cancer and birth defects or other reproductive harm.

- Always start and operate the engine in a well-ventilated area.
- If in an enclosed area, vent the exhaust to the outside.
- Do not modify or tamper with the exhaust system.
- Do not idle the engine except as necessary.

For more information go to www.P65Warnings.ca.gov/diesel. (000394)

 **WARNING**

Environmental Hazard. Always recycle batteries at an official recycling center in accordance with all local laws and regulations. Failure to do so could result in environmental damage, death or serious injury. (000228)

Introduction

This parts manual was prepared based on the information available at the time of publication and is subject to change without notice. Generac Mobile Products reserves the right to change parts at any time. To check whether a revised parts manual is available, contact Generac Mobile Products.

DO NOT MODIFY or use this equipment for any application other than which it was designed for. To keep your equipment fully operational, it is suggested you maintain a stock of commonly used maintenance or service parts. A recommended spare parts list can be found in the back of this manual. To order service parts, please go to www.generacmobileproducts.com or call Generac Mobile Products.



WARNING

Consult Manual. Read and understand manual completely before using product. Failure to completely understand manual and product could result in death or serious injury. (000100a)

GENERAC MOBILE PRODUCTS LLC

215 Power Drive • Berlin, WI 54923 U.S.A.

Phone: 920-361-4442

FAX: 920-361-4416

Toll Free: 1-800-926-9768

www.generacmobileproducts.com

For technical or parts QUESTIONS, contact Generac Mobile Products Technical Service at 1-800-926-9768.

Engine Make: _____

Engine Serial Number: _____

Engine Model Number: _____

This Page Intentionally Left Blank

Table of Contents

| | |
|--|-----|
| Introduction | iii |
| Parts Manual Instructions | 1 |
| Unit Decals - Front, Rear and Top..... | 2 |
| Unit Decals - Left and Right Sides..... | 4 |
| Unit Decals - Inside Unit..... | 6 |
| Mast, Junction Box and Lights to Unit | 8 |
| Light Assembly | 10 |
| Mast Junction Box Assembly..... | 12 |
| Mast Assembly | 14 |
| Mast Assembly - Bottom Post - Manual Winch | 16 |
| Mast Assembly - Bottom Post - Electric Winch | 18 |
| Enclosure Assembly (1 of 2)..... | 20 |
| Enclosure Assembly (2 of 2)..... | 22 |
| Control Box Assembly | 24 |
| Control Box Assembly - Powerzone Option (1 of 2) | 26 |
| Control Box Assembly - Powerzone Option (2 of 2) | 28 |
| Cooling System Assembly | 30 |
| Engine Assembly (1 of 2) | 32 |
| Engine Assembly (2 of 2) | 34 |
| Generator Assembly | 36 |
| Components to Trailer Assembly | 38 |
| Trailer Assembly..... | 40 |
| Recommended Spare Parts - Engine and Service Kits..... | 42 |
| Recommended Spare Parts - Electrical | 44 |
| Recommended Spare Parts - Misc..... | 46 |

This Page Intentionally Left Blank

Parts Manual Instructions

Product illustrations are only representations. Products supplied may vary from the illustrations in this parts manual. Parts not shown in the illustration are indicated by a double dash (--) in the item column.

Please be prepared to provide the following information when ordering replacement parts: model number, serial number (on unit serial tag), part number, purchase order number (if applicable), shipping address, shipping method.

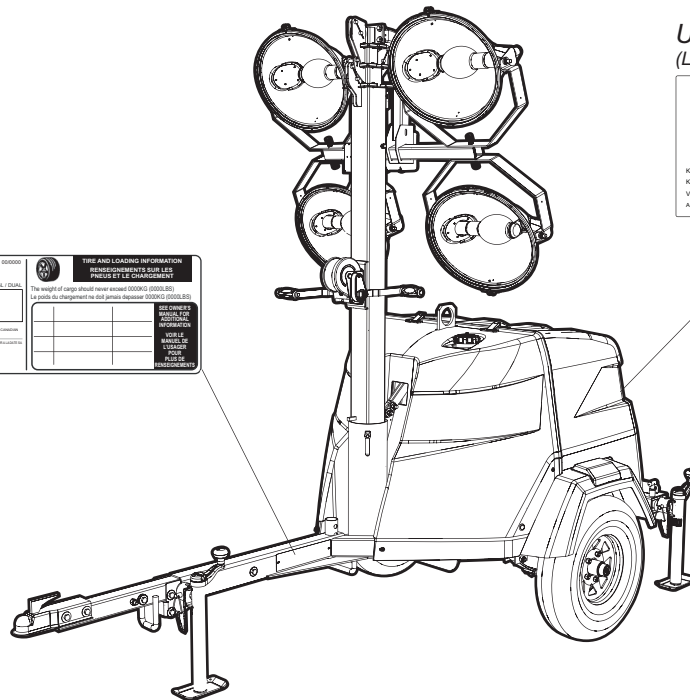
Refer to the illustration below to locate the unit ID tag and Vehicle Identification Number (VIN) tag on the unit. Important information, such as the unit serial number, model number, VIN and tire loading information are found on these tags. Record the information from these tags so it is available if the tags are lost or damaged. When ordering parts or requesting assistance, you may be asked to provide this information.

VIN Tag

| | | | |
|--|--|----------------|---|
| MANUFACTURED BY/FABRICATION: Gen-Pro, Gen-Pro/Products LLC | | DATE: 05/00/00 | TIRE AND LOADING INFORMATION RENDERING OF THESE RULES PROHIBITS ALL CHANGES The weight of cargo should never exceed (5000KG) (11000LBS) in total. No change in tire size or tire pressure (PSI/KPA) should be made. |
| OWNER/PRO: 00000 (00000) | COLD INF. PRESS./ FROST DE GELÉ A FROID - KMP/INFILTRACIÓ SOL/CLAU | | |
| CAUSE/PROB: TIRE/PROB | REM./AJUSTE | | SEE GENERAL WEIGHT AND LOAD INFORMATION |
| EACH PAGE | | | VEHICLE MAKE/TYPE/CLASS |
| | | | MODEL: XXX000 |
| VIN: 000000000000000000 | | | TYPE: TRAILER |

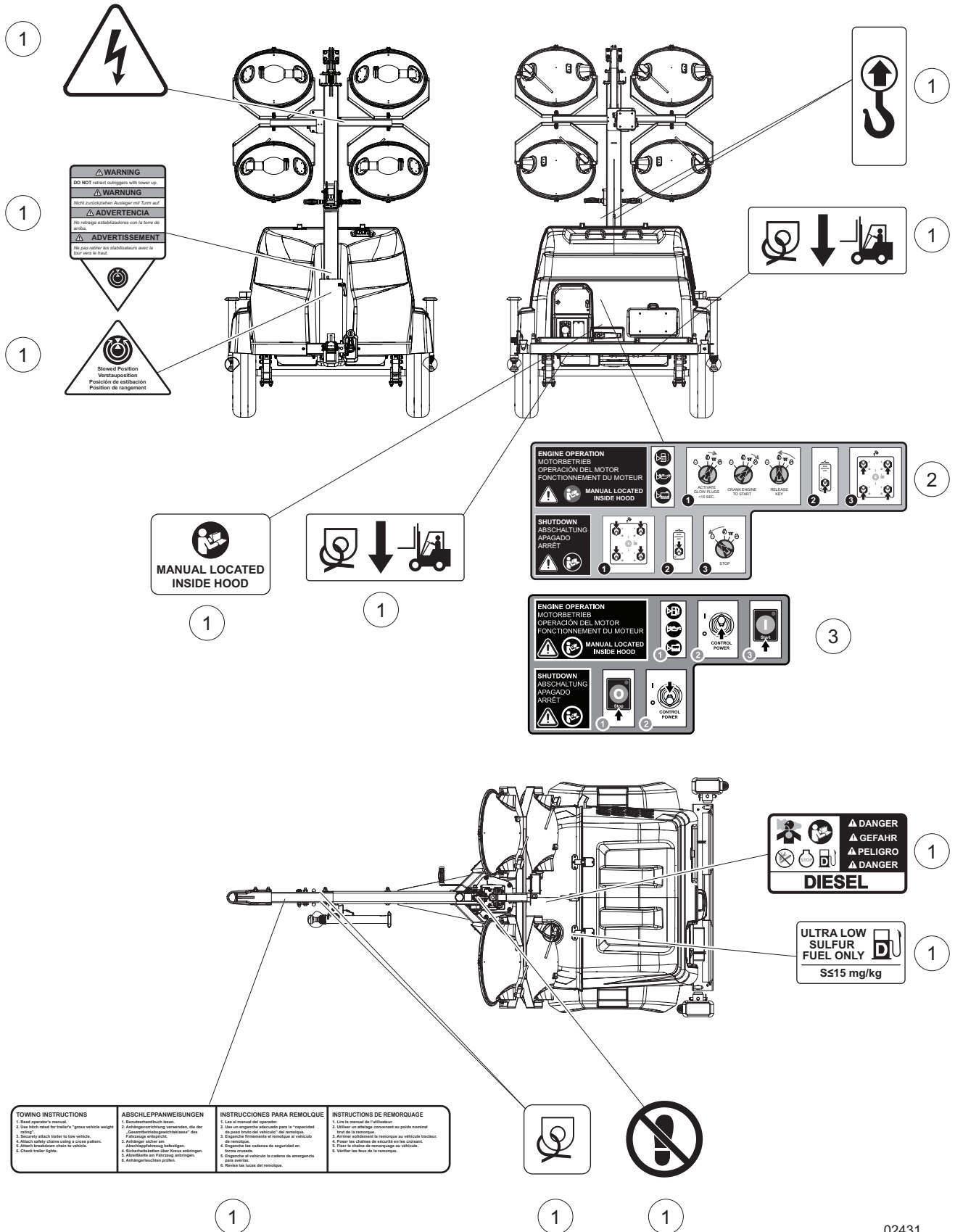
Unit ID Tag
(Located on top of control box)

| | | |
|---|--------------------|----------------|
| Manufactured by Gen-Pro Mobile Products LLC | | |
| (020) 341-4442 | | (800) 535-0768 |
| Country of Origin | Model | Serial Number |
| Manufacturing Code | Weight (Kilograms) | Unit Frequency |
| | | Rating |
| 1 pin, 1.00P | 2 pin, 2.00P | 3 pin, 1.00P |
| RVW | | |
| RVK | | |
| V | | |
| A | | |
| | | Use Class |



02430

UNIT DECALS - FRONT, REAR AND TOP



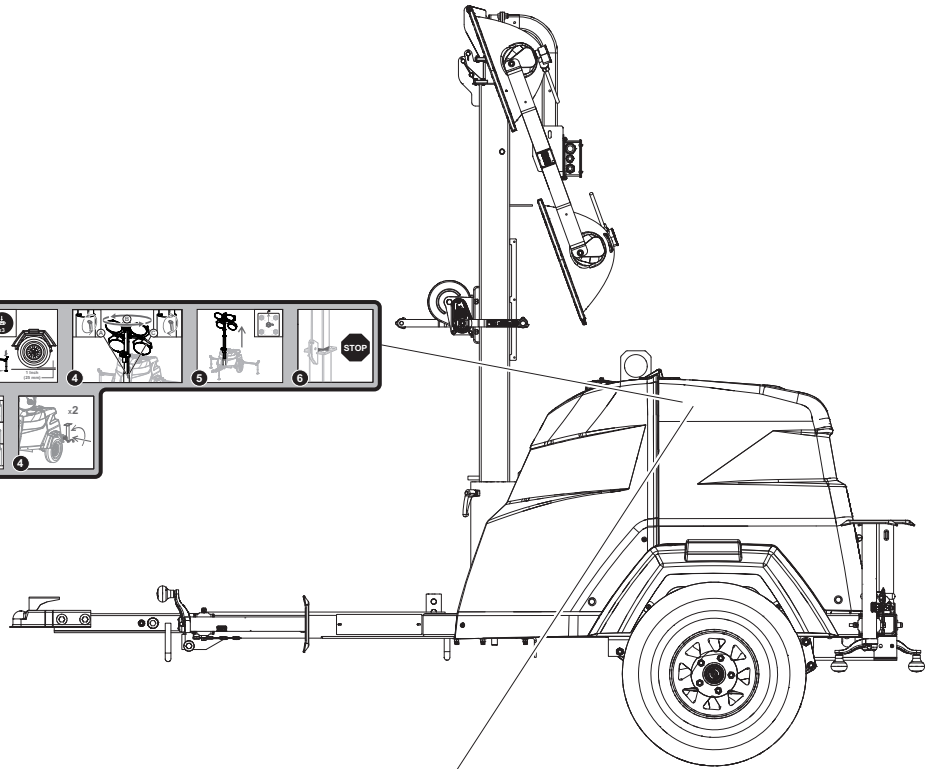
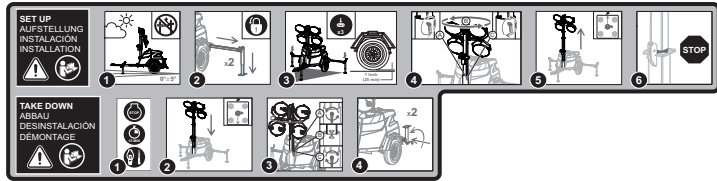
02431

UNIT DECALS - FRONT, REAR AND TOP

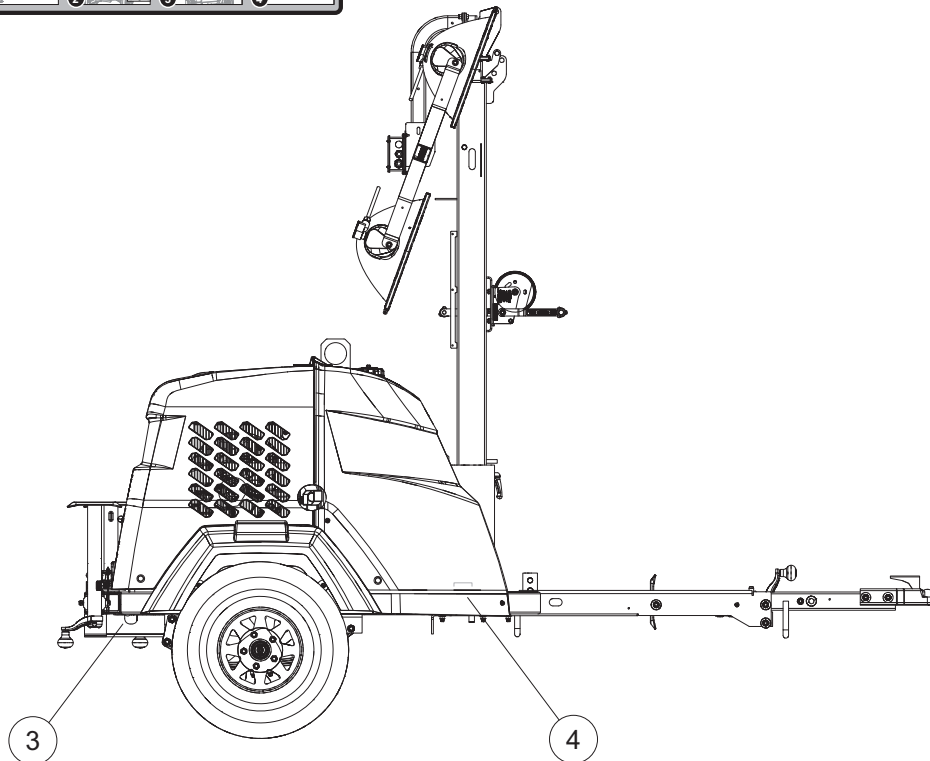
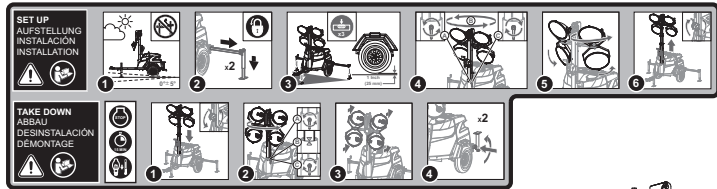
| Item | Part No. | Qty | Description | Notes |
|------|----------|-----|--------------------------------|----------------|
| 1 | 17979 | 1 | Decal, safety MLT6 | |
| 2 | 17980 | 1 | Decal, operation MLT6 (manual) | |
| 3 | 76916 | 1 | Decal, operation Powerzone | Powerzone only |

UNIT DECALS - LEFT AND RIGHT SIDES

1



2



02432

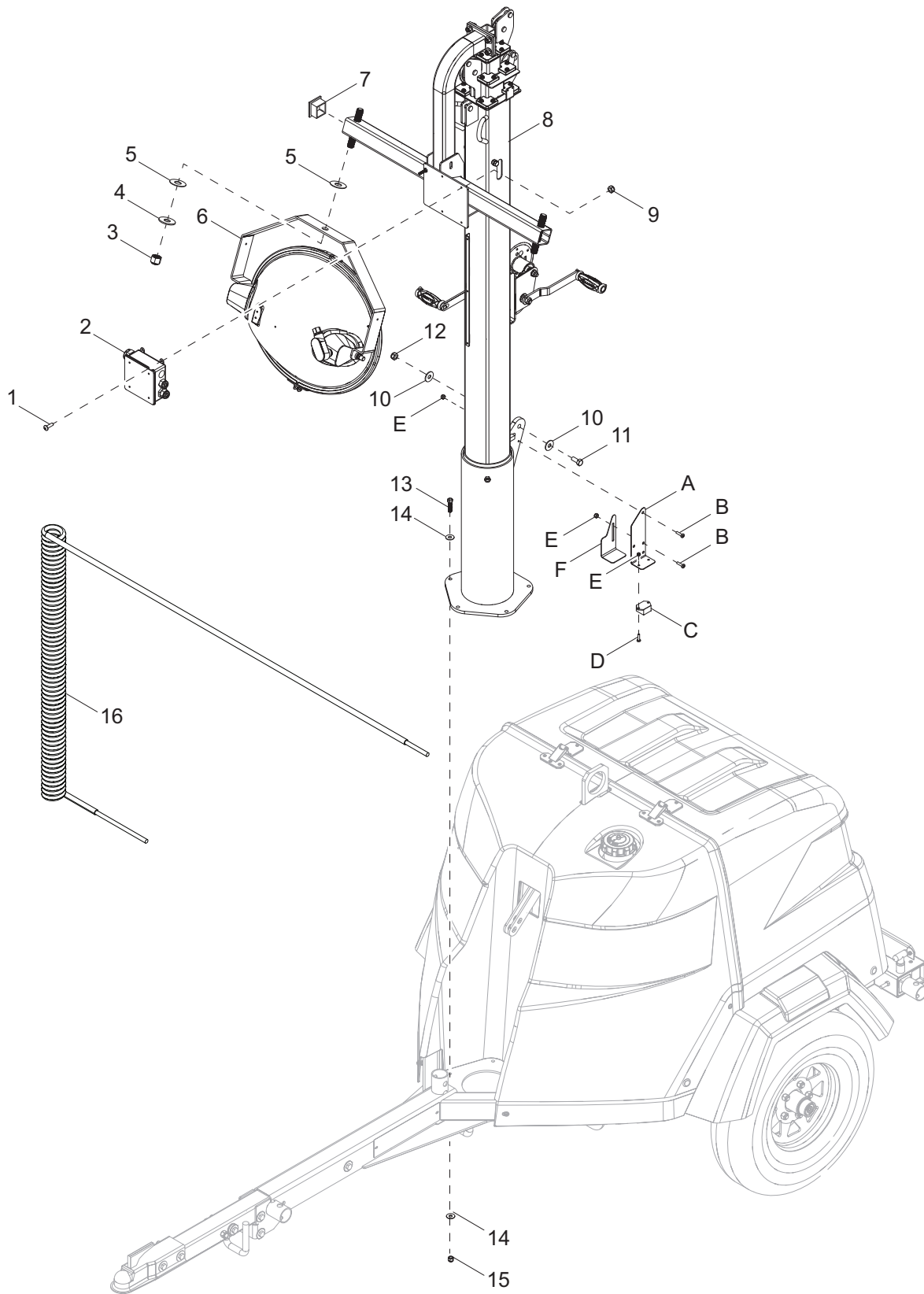
UNIT DECALS - LEFT AND RIGHT SIDES

| Item | Part No. | Qty | Description | Notes |
|------|----------|-----|--|------------|
| 1 | 70096 | 1 | Decal, operation MLT6/8S (electric) | |
| 2 | 17980 | 1 | Decal, operation MLT6/8S (manual) | |
| 3 | 72149 | 1 | Reflector, red (4.25 inch x .75 inch) | Set of two |
| 4 | 72150 | 1 | Reflector, yellow (4.25 inch x .75 inch) | Set of two |

UNIT DECALS - INSIDE UNIT

| Item | Part No. | Qty | Description | Notes |
|------|----------|-----|----------------------------------|----------------|
| 1 | 17979 | 1 | Decal, safety MLT6/8S | |
| 2 | 12142 | 1 | Decal, ground | |
| 3 | 17986 | 1 | Decal, control panel MLT 6SK-M | |
| -- | 70196 | 1 | Decal, control panel - Powerzone | Powerzone only |
| 4 | 72132 | 1 | Reflector, rear 2.0 x 2.0 - red | Set of two |

MAST, JUNCTION BOX AND LIGHTS TO UNIT



02434

MAST, JUNCTION BOX AND LIGHTS TO UNIT

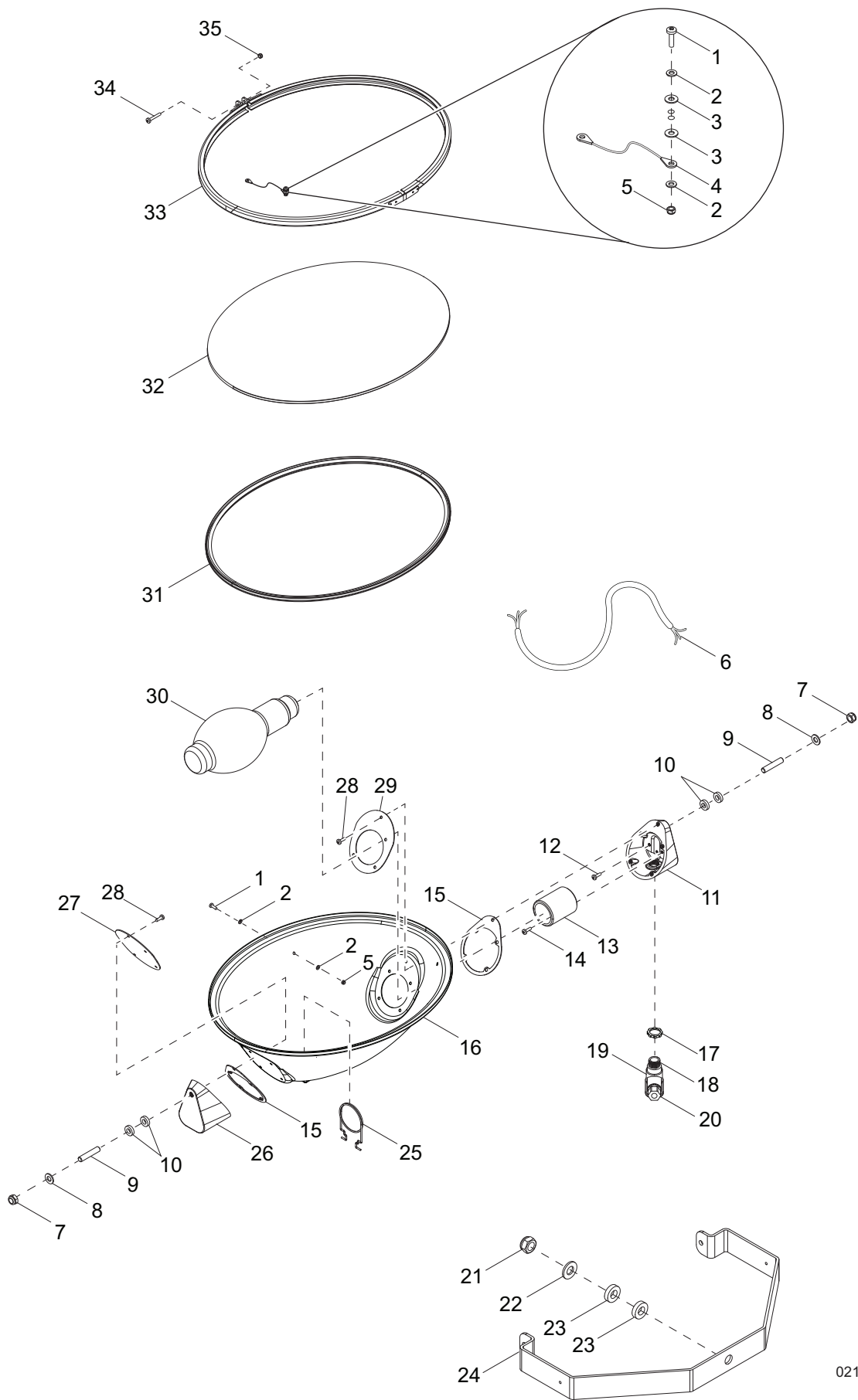
| Item | Part No. | Qty | Description | Notes |
|------|-------------|-----|--|-------|
| 1 | 60062 | 4 | Screw, 10-32 x .750 pan Phillips, G2 | |
| 2 | 31250SRV | 1 | Assembly, mast box | |
| 3 | 60584 | 4 | Nut, .750-10 nylock, G5 | |
| 4 | 60247 | 4 | Washer, .750 flat 2.020/.130 | |
| 5 | 63357 | 8 | Washer, .750 flat 2.0/.062 - plastic | |
| 6 | 10000008620 | 4 | Assembly, light fixture 1050W MH | |
| 7 | 31254 | 4 | Plug, 2.0 square x .125 wall tube, plastic | |
| 8 | 39648 | 1 | Assembly, mast - manual winch, NAP | |
| 9 | 60415 | 4 | Nut, 10-32 nylock, SS | |
| 10 | 60309 | 4 | Washer, .500 flat 1.060/.090 | |
| 11 | 60484 | 2 | Screw, .500-13 x 2.0 standard hex, G5 | |
| 12 | 62221 | 2 | Nut, .500-13 nylock, G5 | |
| 13 | 60139 | 5 | Screw, .375-16 x 1.50 hex, G5 | |
| 14 | 60386 | 10 | Washer, .375 flat .993/.064 | |
| 15 | 60358 | 5 | Nut, .375-16 nylock, G5 | |
| 16 | 39650 | 1 | Coil cord with connector | |

OPTIONAL FEATURES

Night Watchman

| | | | | |
|---|--------|---|--|--|
| A | 70208B | 1 | Bracket, night watchman | |
| B | 60488 | 4 | Screw, 8-32 x .750 pan Phillips, G2 | |
| C | 68763 | 1 | Assembly, night watchman | |
| D | 62054 | 2 | Screw, 8-32 x .500 pan Phillips 18-8, SS | |
| E | 60270 | 8 | Nut, 8-32 nylock | |
| F | 56610B | 1 | Cover, dusk to dawn sensor | |

LIGHT ASSEMBLY

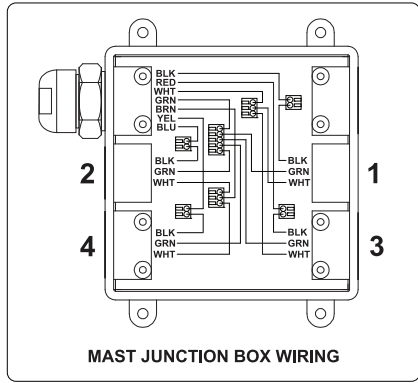


02143

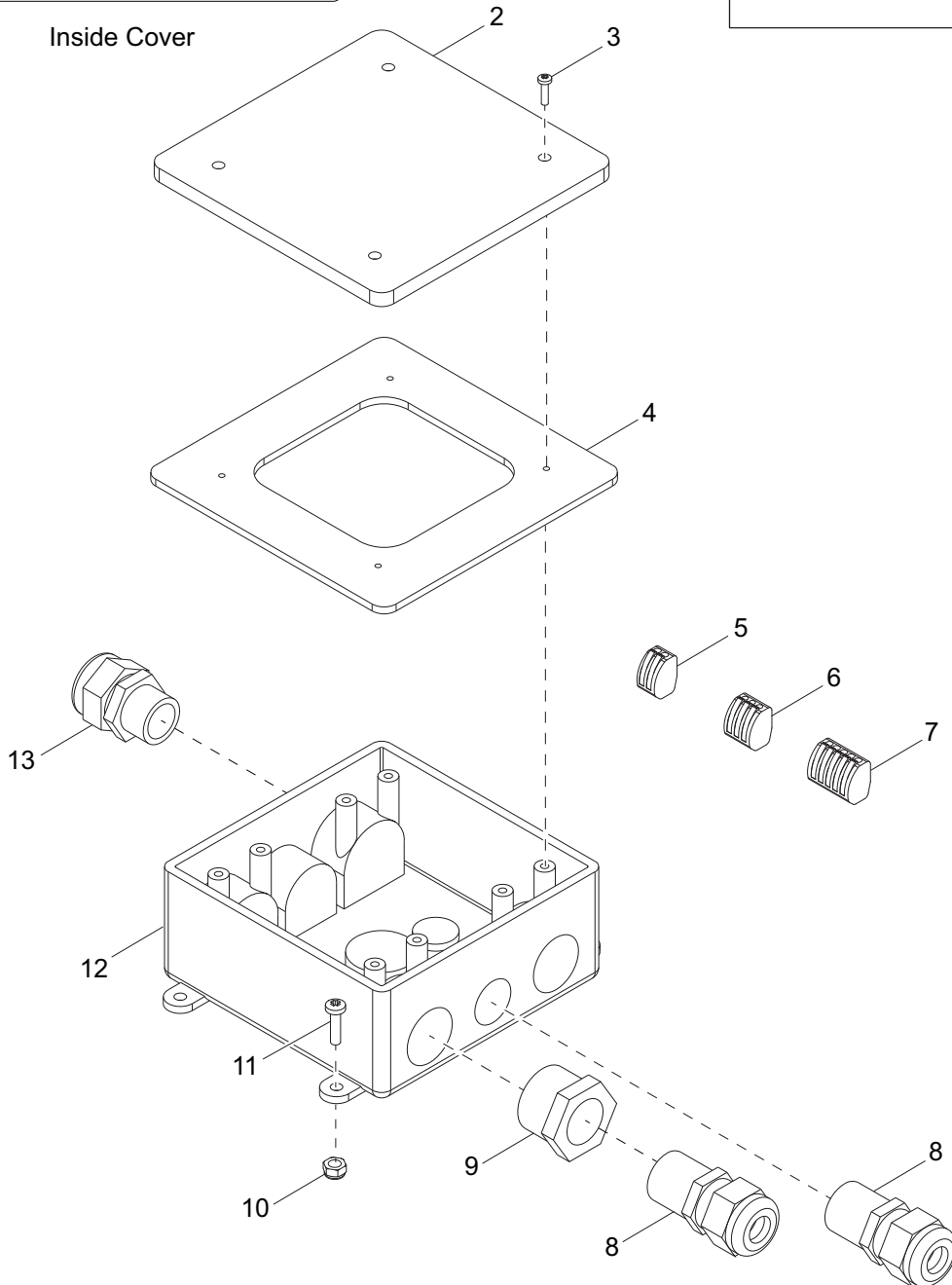
LIGHT ASSEMBLY

| Item | Part No. | Qty | Description | Notes |
|-------------|-----------------|------------|--|--------------|
| 1 | 13399 | 2 | Screw, M4 x 18 pan Phillips | |
| 2 | 60067 | 4 | Washer, #10 flat .435/.060, SS | |
| 3 | 13372 | 2 | Washer, #4 nylon | |
| 4 | 13370 | 1 | Assembly, tether | |
| 5 | 60051 | 2 | Nut, M4-.70 nylock, G8.8 | |
| 6 | 13438 | 1 | Cord, power hard wired | |
| 7 | 62221 | 2 | Nut, .500-13 nylock, G5 | |
| 8 | 60309 | 2 | Washer, .500 flat 1.060/.090 | |
| 9 | 13392 | 2 | Stud, trunnion | |
| 10 | 13390 | 4 | Washer, .500 nylon | |
| 11 | 13375 | 1 | Support, housing/trunnion with cord | |
| 12 | 13393 | 1 | Screw, M5 x 12 Phillips green | |
| 13 | 13381 | 1 | Socket, bulb | |
| 14 | 60694 | 2 | Screw, 8-32 x .750 pan Phillips, SS | |
| 15 | 13378 | 2 | Gasket, silicone | |
| 16 | 13366 | 1 | Housing | |
| 17 | 15861 | 1 | Nut, special, .500NPT lock | |
| 18 | 13386 | 1 | Fitting, nipple - .500 | |
| 19 | 13387 | 1 | Connector, weathertight | |
| 20 | 15864 | 1 | Strain relief, .500NPT watertight, .270/.464 ID | |
| 21 | 60584 | 1 | Nut, .750-10 nylock, G5 | |
| 22 | 60247 | 1 | Washer, .750 flat 2.020/.130 | |
| 23 | 63357 | 2 | Washer, .750 flat 2.0/.062, plastic | |
| 24 | 13368 | 1 | Trunnion | |
| 25 | 13892 | 1 | Support, bulb | |
| 26 | 13374 | 1 | Support, housing/trunnion without cord | |
| 27 | 13377 | 1 | Bracket, end plate | |
| 28 | 13388 | 10 | Screw, M5 x12 slotted hex with flange | |
| 29 | 13376 | 1 | Bracket, socket end plate | |
| 30 | 10000008611 | 1 | Bulb, metal halide 1050W | |
| 31 | 13373 | 1 | Gasket, lens oval | |
| 32 | 13369 | 1 | Lens, glass oval | |
| 33 | 13367 | 1 | Assembly, aluminum ring | |
| 34 | 60167 | 1 | Screw, M5-.80 x 35 pan Phillips, G4.8 | |
| 35 | 60038 | 1 | Nut, M5-.80 nylock | |
| -- | 10000008620 | 4 | Assembly, light fixture - 1050W non-quick disconnect | Items 1-35 |

MAST JUNCTION BOX ASSEMBLY



Inside Cover

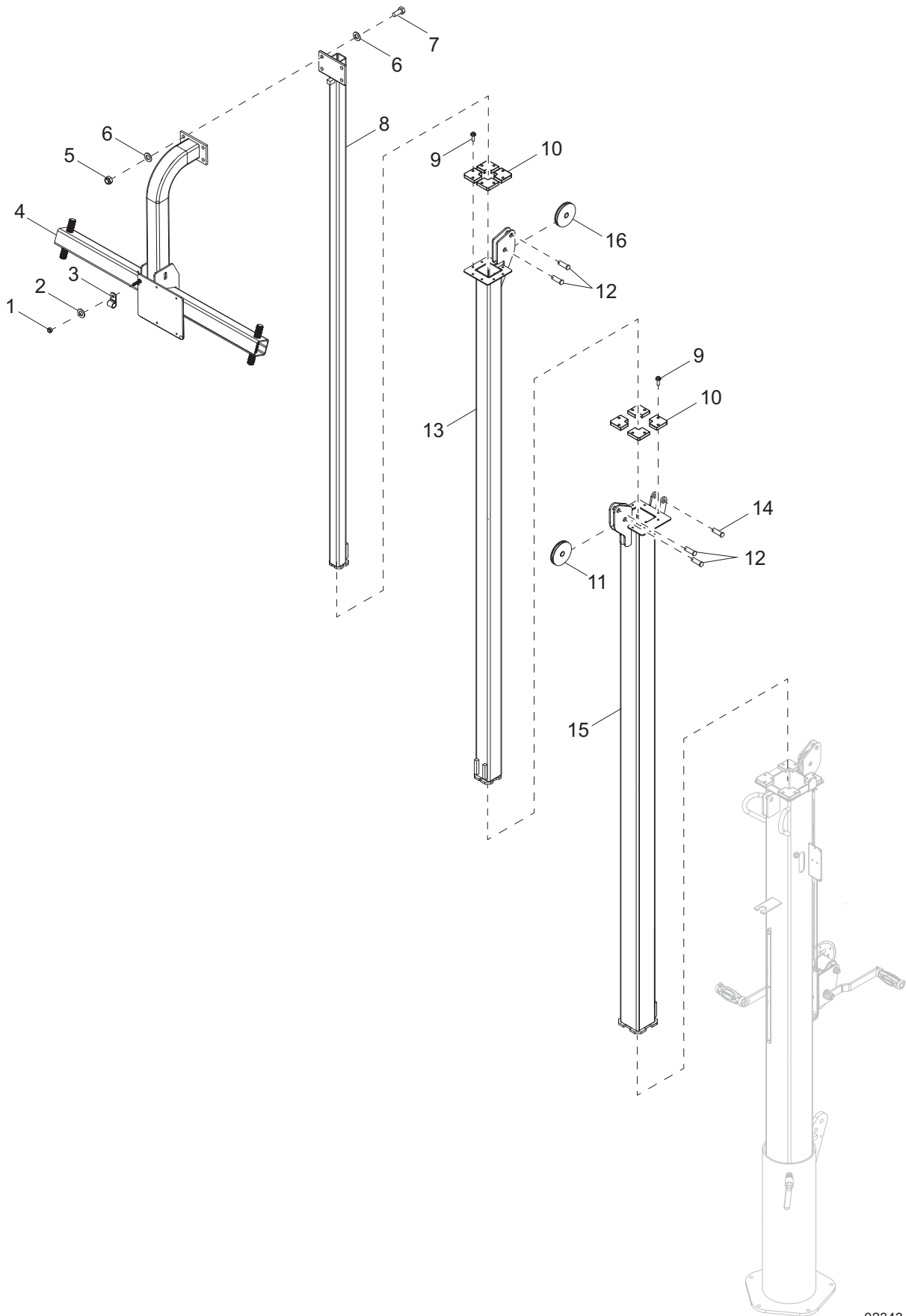


02132

MAST JUNCTION BOX ASSEMBLY

| Item | Part No. | Qty | Description | Notes |
|------|----------|-----|---|-------|
| 1 | 37215 | 1 | Decal, mast junction box wiring | |
| 2 | 12109 | 1 | Cover, box, 2-gang plastic | |
| 3 | 60424 | 4 | Screw, 6-32x.750 pan Phillips, G2 | |
| 4 | 13749SRV | 1 | Gasket, junction box - HFI 281000 | |
| 5 | 66100 | 4 | Connector, 2 position. | |
| 6 | 66101 | 2 | Connector, 3 position. | |
| 7 | 66102 | 1 | Connector, 5 position. | |
| 8 | 60755 | 2 | Fitting, str .750MNPT x .500FNPT, nylon | |
| 9 | 15864 | 4 | Strain relief, .500NPT watertight | |
| 10 | 60415 | 4 | Nut, 10-32 nylock, SS | |
| 11 | 60062 | 4 | Screw, 10-32x.750 pan Phillips, G2 | |
| 12 | 12094 | 1 | Box, junction | |
| 13 | 14656 | 1 | Strain relief, .750NPT watertight | |
| 14 | 31250SRV | 1 | Assembly, junction box | |

MAST ASSEMBLY

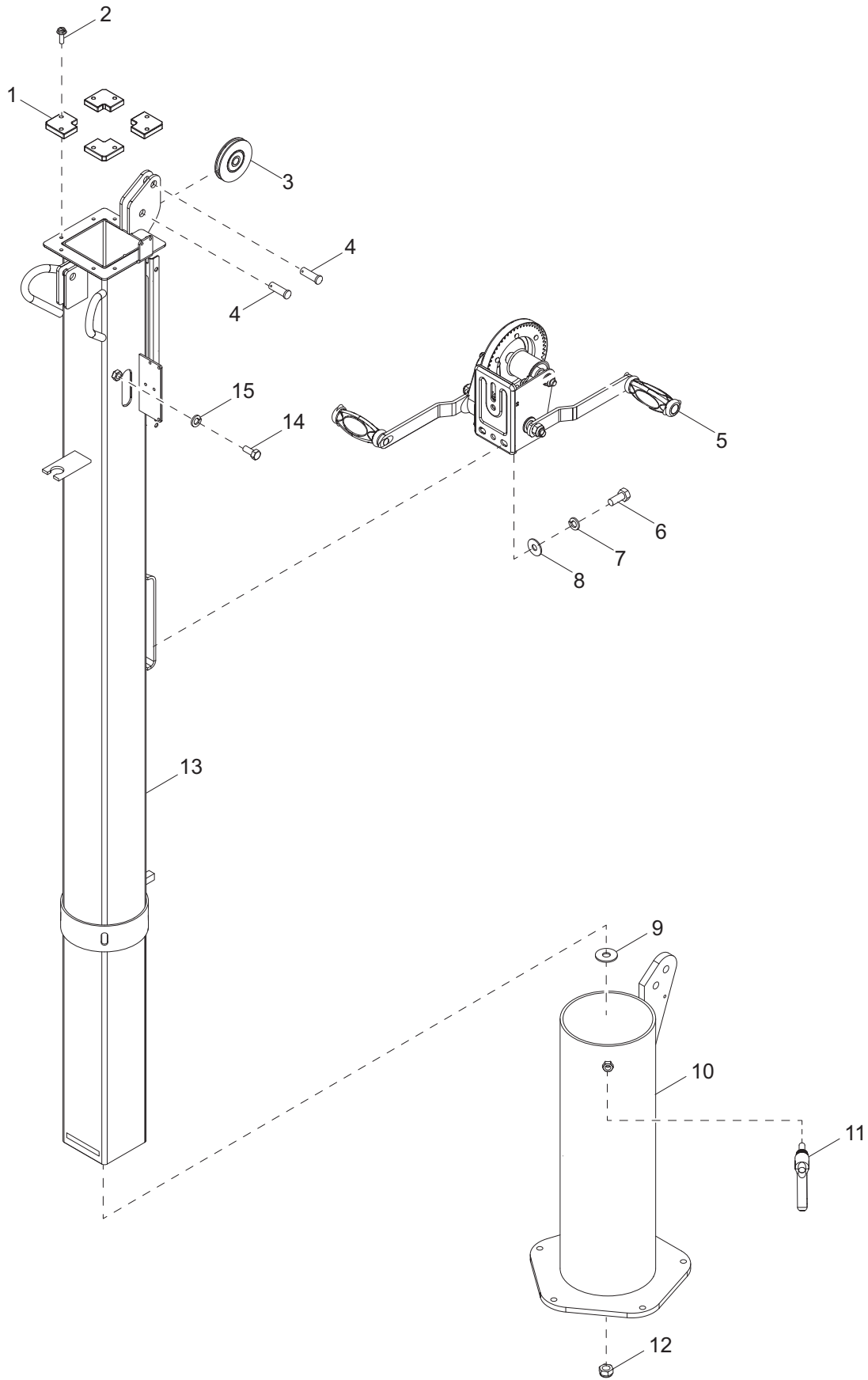


02343

MAST ASSEMBLY

| Item | Part No. | Qty | Description | Notes |
|------|----------|-----|---------------------------------------|--------------|
| 1 | 60144 | 1 | Nut, .250-20 nylock, G5 | |
| 2 | 60243 | 1 | Washer, .250 flat .735/.060 | |
| 3 | 16143 | 1 | Clamp, tubing .500 | |
| 4 | 43201B | 1 | Weldment, mast, crossbar | |
| 5 | 60358 | 4 | Nut, .375-16 nylock, G5 | |
| 6 | 60386 | 8 | Washer, .375 flat .993/.064 | |
| 7 | 60352 | 4 | Screw, .375-16 x 1.250 hex, G5 | |
| 8 | 31264B | 1 | Weldment, mast - 1.50 | |
| 9 | 63358 | 16 | Screw, .250-20 x .625 hex washer head | |
| 10 | 31225 | 8 | Guide | |
| 11 | 33736 | 1 | Assembly, pulley - vertical mast | |
| 12 | 63325 | 4 | Pin, clevis .500 dia x 1.063 UL | |
| 13 | 31261B | 1 | Weldment, mast - 2.25 | |
| 14 | 35655 | 1 | Pin, clevis .500 dia x 1.750 ZP | |
| 15 | 37465B | 1 | Weldment, mast - 3.0 | |
| 16 | 14262 | 1 | Sheave, 3.00 | |
| -- | 31247 | 1 | Cable, .188 x 144 w/ ball swedge | winch cable |
| -- | 31248 | 2 | Cable, .188 x 79.75 w/ball swedge | middle cable |
| -- | 31277 | 1 | Cable, .188 x 78.0 w/ball swedge | top cable |

MAST ASSEMBLY - BOTTOM POST - MANUAL WINCH

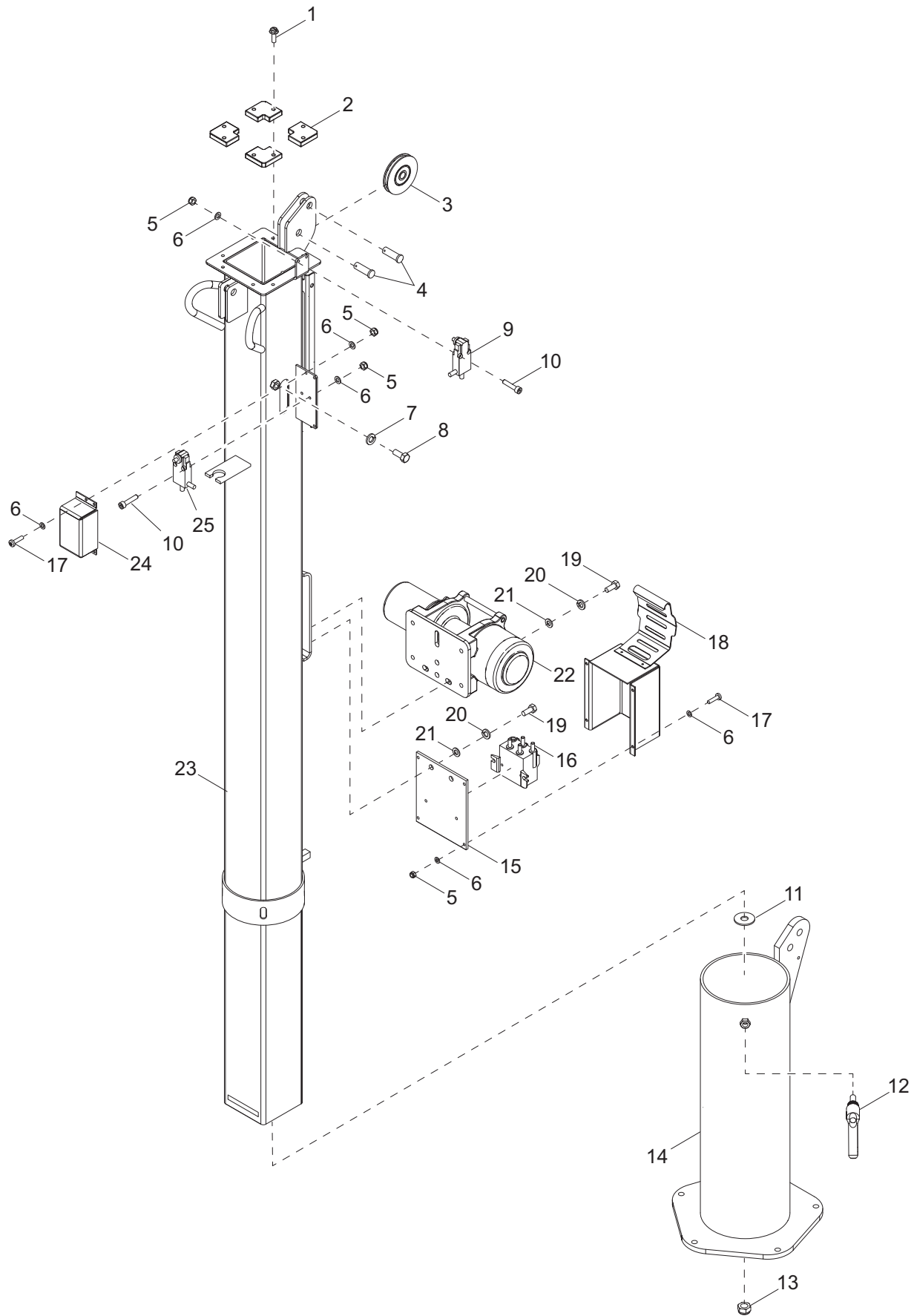


02344

MAST ASSEMBLY - BOTTOM POST - MANUAL WINCH

| Item | Part No. | Qty | Description | Notes |
|------|----------|-----|---------------------------------------|-------|
| 1 | 31225 | 4 | Guide | |
| 2 | 63358 | 8 | Screw, .250-20 x .625 hex washer head | |
| 3 | 33736 | 1 | Assembly, pulley vertical mast | |
| 4 | 63325 | 2 | Pin, clevis .500 dia x 1.063 UL | |
| 5 | 72127 | 1 | Winch, manual - 1500 lb, dual handle | |
| 6 | 60205 | 3 | Screw, .375-16 x 1.0 hex, G5 | |
| 7 | 60206 | 3 | Washer, .375 split lock - hardened | |
| 8 | 60386 | 3 | Washer, .375 flat .993/.064 | |
| 9 | 60247 | 1 | Washer, .750 flat 2.020/.130 | |
| 10 | 31218B | 1 | Weldment, mast rotation tube | |
| 11 | 36978 | 1 | Handle, .375-16 x 1.0 adjustable | |
| 12 | 60584 | 1 | Nut, .750-10 nylock, G5 | |
| 13 | 37462B | 1 | Weldment, mast 4.0 inch | |
| 14 | 62269 | 2 | Screw, .375-16 x .75 hex, SS - red | |
| 15 | 60703 | 2 | Washer, .375 split lock, SS | |

MAST ASSEMBLY - BOTTOM POST - ELECTRIC WINCH

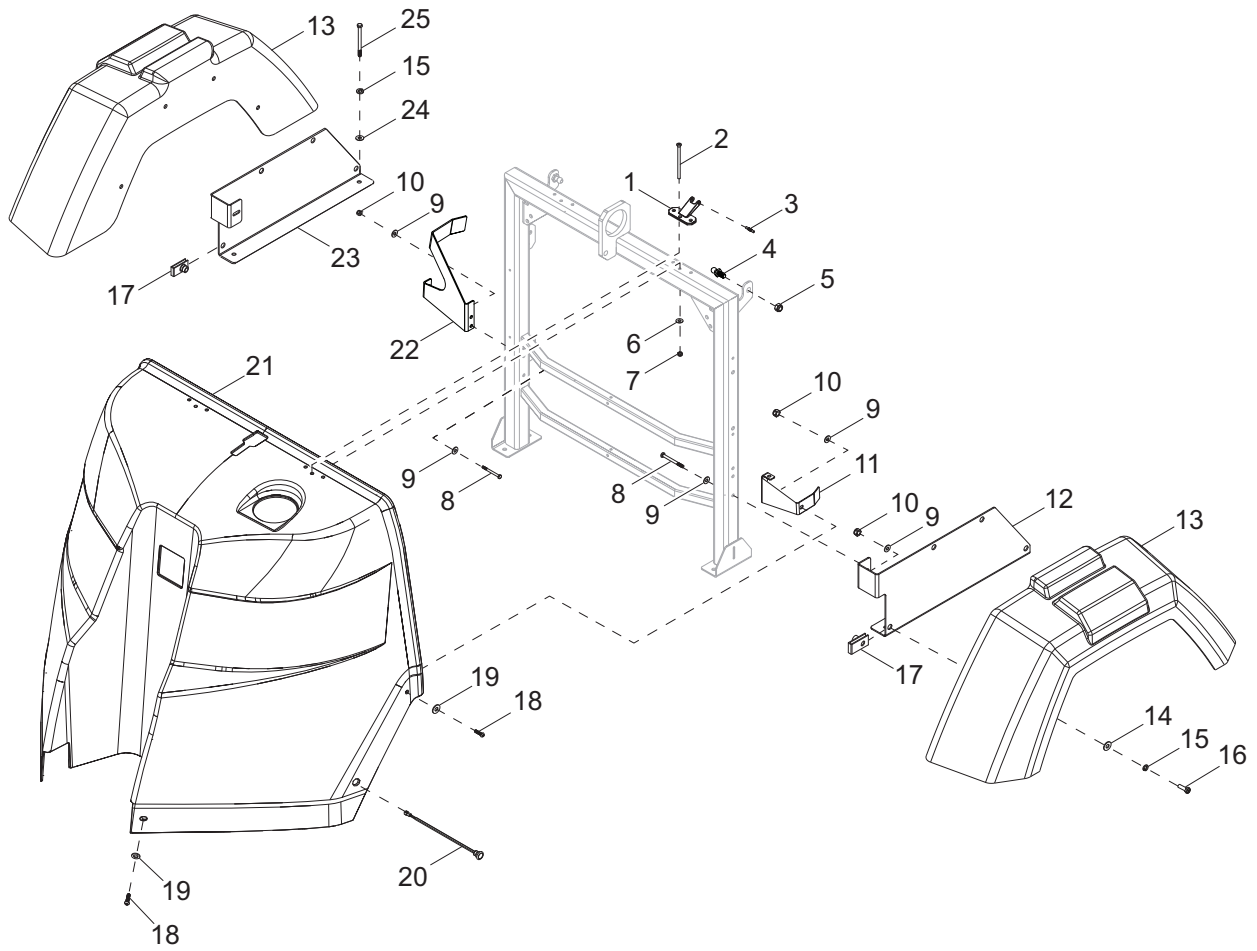


02341

MAST ASSEMBLY - BOTTOM POST - ELECTRIC WINCH

| Item | Part No. | Qty | Description | Notes |
|------|----------|-----|---------------------------------------|-------------------|
| 1 | 63358 | 8 | Screw, .250-20 x .625 hex washer head | |
| 2 | 31225 | 4 | Guide | |
| 3 | 33736 | 1 | Assembly, pulley vertical mast | |
| 4 | 63325 | 2 | Pin, clevis .500 dia x 1.063 UL | |
| 5 | 60207 | 11 | Nut, 8-32 nylock, G6 | |
| 6 | 60269 | 18 | Washer, #8 flat ..433/.036 | |
| 7 | 60703 | 2 | Washer, .375 split lock, SS | |
| 8 | 62269 | 2 | Screw, .375-16 x .75 hex, SS - red | |
| 9 | 31740 | 1 | Assembly, down switch | |
| 10 | 67190 | 4 | Screw, 8-32 x 1.125 socket head, SS | |
| 11 | 60247 | 1 | Washer, .750 flat 2.020/.130 | |
| 12 | 36978 | 1 | Handle, .375-16 x 1.0 adjustable | |
| 13 | 60584 | 1 | Nut, .750-10 nylock, G5 | |
| 14 | 31218B | 1 | Weldment, mast rotation tube | |
| 15 | 37207B | 1 | Plate, contactor | |
| 16 | 11293 | 1 | Contactor | hardware included |
| 17 | 60244 | 7 | Screw, 8-32 x .750 pan Phillips, G2 | |
| 18 | 37468B | 1 | Weldment, winch cover | |
| 19 | 60205 | 5 | Screw, .375-16 x 1.0 standard hex, G5 | |
| 20 | 60206 | 5 | Washer, .375 split lock | |
| 21 | 60386 | 5 | Washer, .375 flat .993/.064 | |
| 22 | 12874 | 1 | Winch, electric - 770 lb hoist | |
| 23 | 37462B | 1 | Weldment, mast 4.0 inch | |
| 24 | 37205B | 1 | Cover, up limit switch | |
| 25 | 31739 | 1 | Assembly, up stop switch | |
| -- | 12922 | 2 | Boot, battery cable - red | |
| -- | 31742 | 1 | Wire group, electric winch box | |
| -- | 31743 | 1 | Harness, winch power cables | |
| -- | 72143 | 1 | Harness, winch, stud-contactor | |

ENCLOSURE ASSEMBLY (1 OF 2)

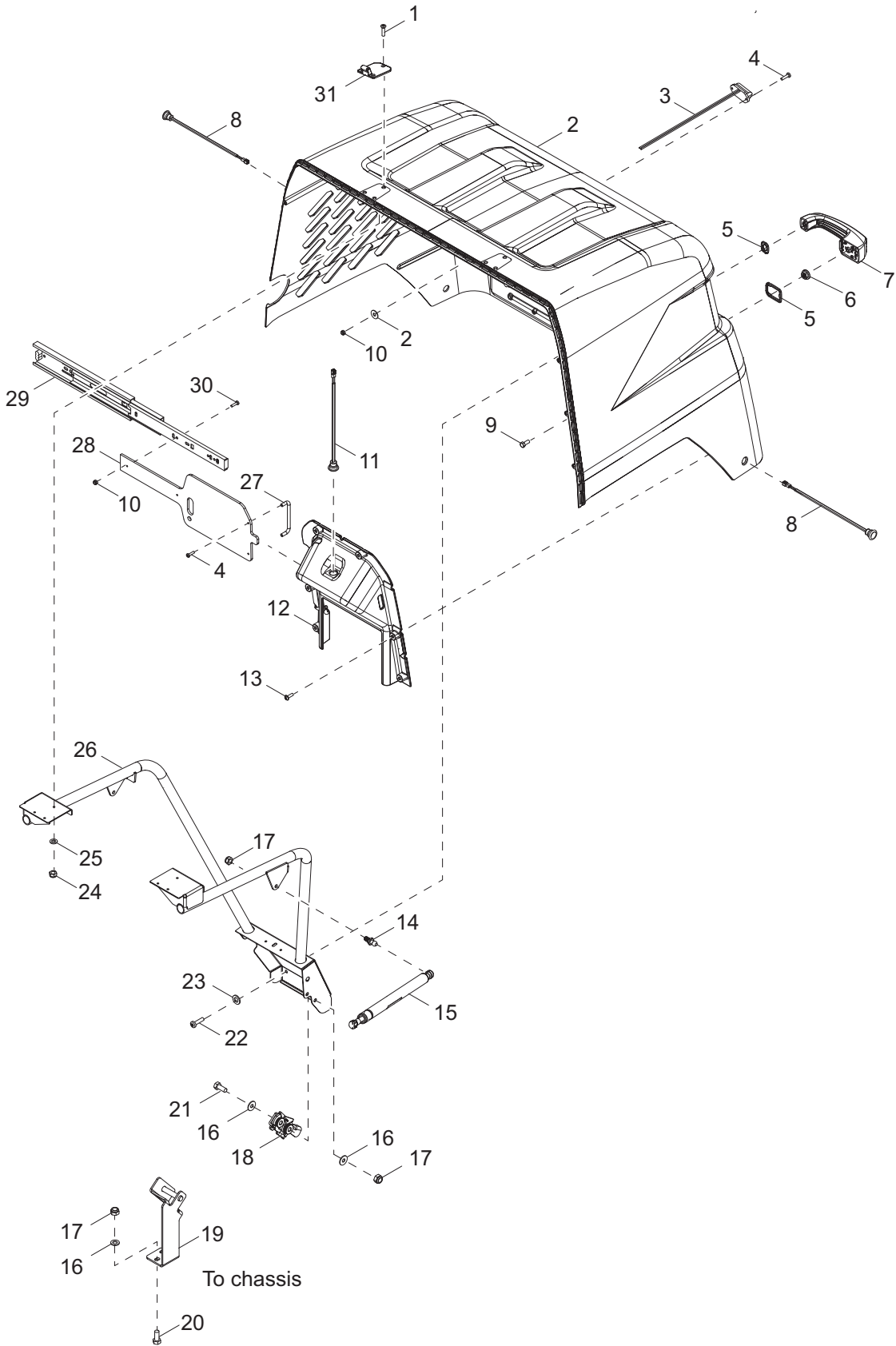


02435

ENCLOSURE ASSEMBLY (1 OF 2)

| Item | Part No. | Qty | Description | Notes |
|-------------|-----------------|------------|---|--------------|
| 1 | 10000022542 | 2 | Hinge, offset housing leaf - front | |
| 2 | 35282 | 6 | Screw, 10-24 x 3.0 flat head Phillips, SS | |
| 3 | 10000022543 | 2 | Pin, offset housing hinge - knurled | |
| 4 | 35293 | 2 | Ball stud, 10mm, .312-18 | |
| 5 | 60303 | 2 | Nut, .312-18 nylock, G2 | |
| 6 | 60237 | 12 | Washer, #10 flat .495/.036 | |
| 7 | 60457 | 12 | Nut, M6-1.0 weld, class 5 | |
| 8 | 61234 | 6 | Screw, .250-20 x 2.750 standard hex, G5 | |
| 9 | 60243 | 12 | Washer, .250 flat .735/.060 | |
| 10 | 60144 | 8 | Nut, .250-20 nylock, G5 | |
| 11 | 10000017357 | 1 | Guide bracket, enclosure meeting -LH | |
| 12 | 35141B | 1 | Bracket, mounting fender - left | |
| 13 | 17982 | 2 | Fender, plastic, 13 in. wheel | |
| 14 | 60386 | 8 | Washer, .375 flat .993/.064 | |
| 15 | 60271 | 8 | Washer, .312 split lock | |
| 16 | 60028 | 8 | Screw, .312-18 x 1.0 standard hex, G5 | |
| 17 | 62086 | 8 | Nut, .312-18 U-clip - short type | |
| 18 | 68070 | 4 | Screw, .250-20 x 1.00 button hex, SS | |
| 19 | 60696 | 6 | Washer, .250 flat .625/.050, SS | |
| 20 | 36961 | 2 | Assembly, amber side marker light | |
| 21 | 10000012656 | 1 | Enclosure, front cover | |
| 22 | 10000017378 | 1 | Guide bracket, enclosure meeting -RH | |
| 23 | 35216B | 2 | Bracket, mounting fender - right | |
| 24 | 60119 | 6 | Washer, .312 flat .875/.070 | |
| 25 | 60404 | 4 | Screw, .312-18 x 1.250 standard hex, G5 | |

ENCLOSURE ASSEMBLY (2 OF 2)

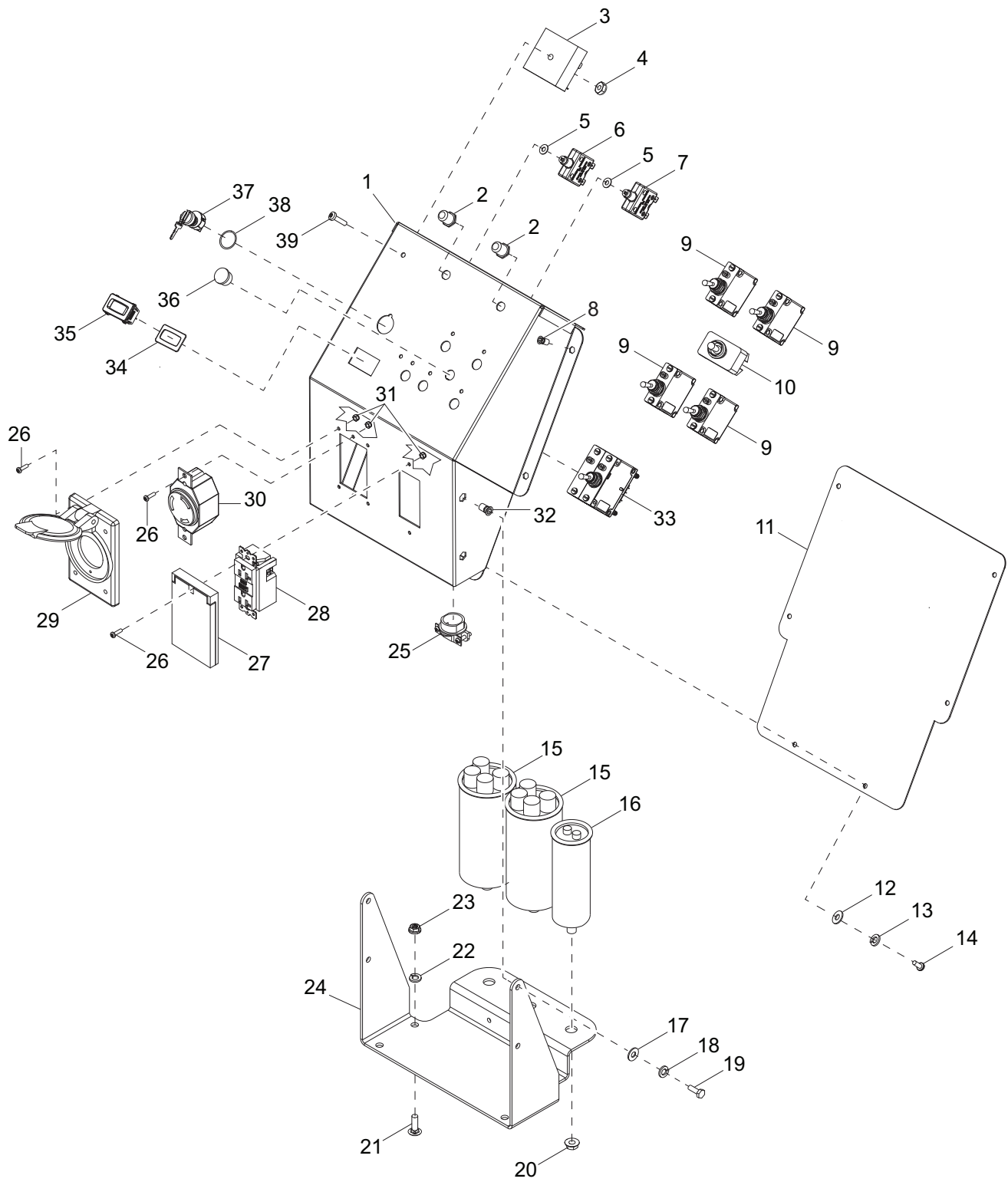


02436

ENCLOSURE ASSEMBLY (2 OF 2)

| Item | Part No. | Qty | Description | Notes |
|-------------|-----------------|------------|--|--------------|
| 1 | 35290 | 6 | Screw, 10-24 x 1.00 flat Phillips, SS | |
| 2 | 10000012659 | 1 | Housing, rear textured - CAT yellow | |
| 3 | 36963 | 1 | Assembly, license plate light | |
| 4 | 60694 | 4 | Screw, 8-32 x .750 pan Phillips, SS | |
| 5 | 70216 | 1 | Gasket, kit handle, push button | |
| 6 | 60036 | 1 | Nut, M6-1.00 serrated flange, G8.8 | |
| 7 | 35138 | 1 | Handle, push-button padlock | |
| 8 | 36962 | 2 | Assembly, red side marker | |
| 9 | 60335 | 1 | Screw, M6-1.00 x 25 standard hex, SS | |
| 10 | 60270 | 4 | Nut, 8-32 nylock, class 6 | |
| 11 | 36964 | 1 | Assembly, controls light | |
| 12 | 10000012596 | 1 | Bezel, control panel textured - black | |
| 13 | 10000017348 | 6 | Screw, D60-2.14 x 20TRWH | |
| 14 | 35293 | 2 | Ball stud, 10mm, .313-18 | |
| 15 | 35137 | 2 | Gas shock, 120 lb | |
| 16 | 60119 | 6 | Washer, .312 flat .875/.070 | |
| 17 | 60303 | 6 | Nut, .312-18 nylock, G2 | |
| 18 | 35139 | 1 | Latch, rotary | |
| 19 | 37178B | 1 | Mount, door latch striker | |
| 20 | 61066 | 2 | Screw, .312-18 x 1.00 carriage square - SS | |
| 21 | 62001 | 2 | Screw, .312-18 x 1.250 standard hex, G5 | |
| 22 | 60146 | 3 | Screw, | |
| 23 | 60243 | 3 | Washer, .250 flat .735/.060 | |
| 24 | 60457 | 6 | Nut, 10-24 nylock, G2 ZC | |
| 25 | 60237 | 2 | Washer, #10 flat .495/.036 ZC | |
| 26 | 37012B | 1 | Weldment, enclosure structure | |
| 27 | 37123 | 1 | Handle, control box cover | |
| 28 | 10000017623 | 1 | Cover, sliding control panel | |
| 29 | 36914 | 1 | Slide, control box cover | |
| 30 | 62054 | 2 | Screw, 8-32 x .500 pan Phillips - SS | |
| 31 | 10000022523 | 2 | Hinge, leaf offset housing - rear | |
| -- | 60335 | 1 | Screw, M6-1.00 x 25 standard hex, SS | |
| -- | 60375 | 1 | Clamp, tubing - .312 lt duty | |

CONTROL BOX ASSEMBLY

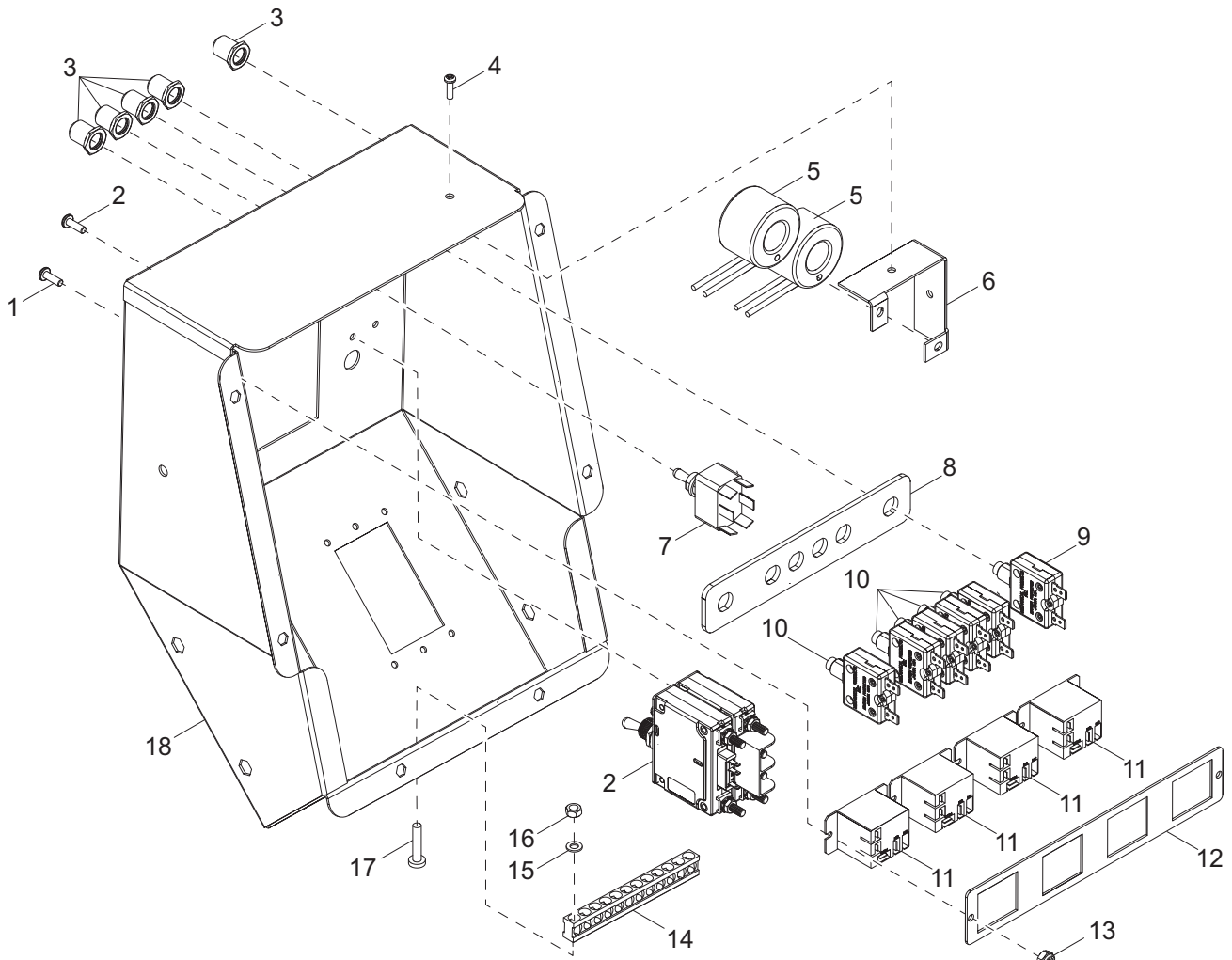


02135

CONTROL BOX ASSEMBLY

| Item | Part No. | Qty | Description | Notes |
|------|----------|-----|---|--------------------|
| 1 | 36884B | 1 | Control box | |
| 2 | 36938 | 2 | Boot, push button breaker | |
| 3 | 14201 | 1 | Relay, 10A SPDT, time delay - 15 second fixed | |
| 4 | 60061 | 5 | Nut, 10-32 nylock | |
| 5 | 60386 | 2 | Washer, .375 flat .993/.064 | |
| 6 | 36937 | 1 | Breaker, 10A DC | |
| 7 | 36935 | 1 | Breaker, 15A, 1 pole, 250V | |
| 8 | 62234 | 6 | Insert, threaded #10-32 hex .020-.130 grip | |
| 9 | 36880 | 4 | Switch, light - 15A | |
| 10 | 65707 | 1 | Switch, toggle - SPDT spring | Electric mast only |
| 11 | 36885B | 1 | Cover, control panel box | |
| 12 | 60237 | 6 | Washer, #10 flat .495/0.36 | |
| 13 | 60252 | 6 | Washer, #10 split lock | |
| 14 | 62254 | 6 | Screw, 10-32x.500 serrated flange, SS | |
| 15 | 65959 | 2 | Capacitor, dual 24 μ F sealed stud mount | |
| 16 | 36980 | 1 | Capacitor, 25 μ F, 5% 440VAC, sealed stud mount | |
| 17 | 60243 | 4 | Washer, .250 flat .735/.060 | |
| 18 | 60286 | 4 | Washer, .250 split lock | |
| 19 | 60281 | 4 | Screw, .250-20 x .750 standard hex, G5 | |
| 20 | 60148 | 3 | Nut, M12-1.75 serrated flange, G8.8 | |
| 21 | 61066 | 4 | Screw, .312-18 x 1.0 carriage, SS | |
| 22 | 60119 | 4 | Washer, .312 flat .875/.070 | |
| 23 | 60095 | 4 | Nut, .312-18 serrated flange | |
| 24 | 36911B | 1 | Bracket, control box mounting | |
| 25 | 14219 | 1 | Strain relief - .75 Romex w/nut | |
| 26 | 62210 | 6 | Screw, 6-32 x .50 pan Phillips, SS | |
| 27 | 37017 | 1 | Cover receptacle - weather proof, 20A GFCI single | |
| 28 | 14130 | 1 | Receptacle, 120V/20A GFI | |
| 29 | 36939 | 1 | Cover, receptacle - weather-proof 20/30A twist-lock | |
| 30 | 14137 | 1 | Receptacle, 240V/30A twist | |
| 31 | 60728 | 6 | Nut, 6-32 nylock | |
| 32 | 63231 | 4 | Insert, threaded .250-20 hex .027-.165 grip | |
| 33 | 36975 | 1 | Breaker, 30A main | |
| 34 | 36944 | 1 | Gasket, hour meter | |
| 35 | 36886 | 1 | Meter, hour | |
| 36 | 65798 | 1 | Plug | Manual mast only |
| 37 | 36882 | 1 | Switch, sealed key, 4-position | |
| 38 | 37042 | 1 | O-ring, .75ID x 15-16 inch. x 3/32 inch | |
| 39 | 63308 | 1 | Screw, 10-32 x 1.250 pan Phillips, SS | |
| -- | 68282 | 1 | Wire group, control box - electric mast | |
| -- | 68283 | 1 | Harness, generator to control box | |
| -- | 68284 | 1 | Harness, control box to electric mast | |

CONTROL BOX ASSEMBLY - POWERZONE OPTION (1 OF 2)

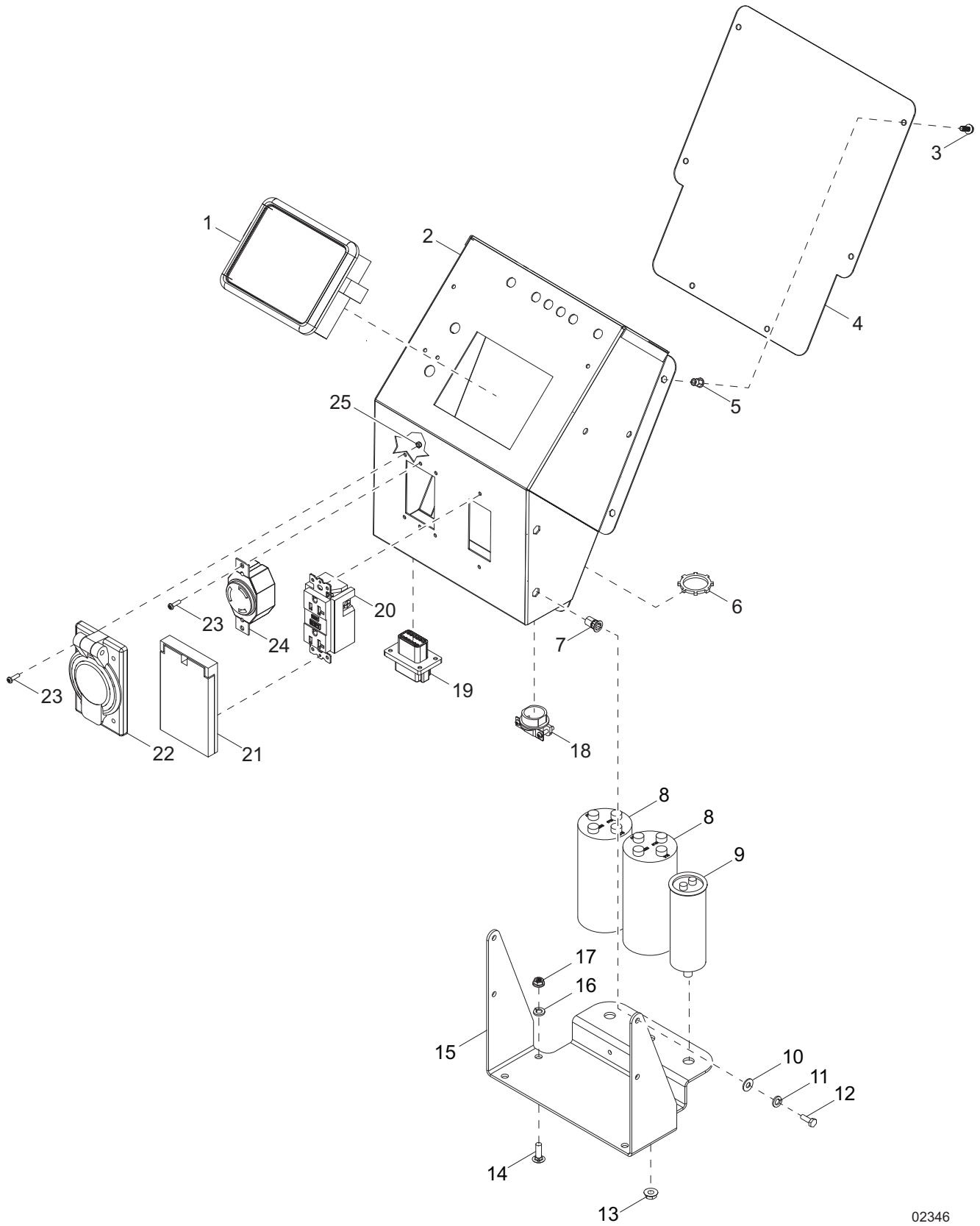


02345

CONTROL BOX ASSEMBLY - POWERZONE OPTION (1 OF 2)

| Item | Part No. | Qty | Description | Notes |
|------|----------|-----|---|---------------|
| 1 | 62054 | 3 | Screw, 8-32 x .500 pan Phillips,- SS | |
| 2 | 36975 | 2 | Breaker, 30A main | with hardware |
| 3 | 36938 | 6 | Boot, push button breaker | |
| 4 | 62210 | 6 | Screw, 6-32 x .50 pan Phillips - SS | |
| 5 | 66255 | 2 | Transformer, current | |
| 6 | 38449B | 1 | Bracket, CT mount | |
| 7 | 68508 | 1 | Switch, toggle - SPST (on-off) 12A 125V | |
| 8 | 38448B | 1 | Spacer, breaker control box | |
| 9 | 36937 | 1 | Breaker, 10A DC | |
| 10 | 36935 | 5 | Breaker, 15A, 250V, 1 pole | |
| 11 | 29759 | 4 | Relay, 12V coil 120-240 VAC rated | |
| 12 | 38447B | 1 | Bracket, relay | |
| 13 | 60270 | 3 | Nut, 8-32 nylock, G6 | |
| 14 | 14204 | 1 | Kit, ground bar | |
| 15 | 60252 | 6 | Washer, #10 split lock | |
| 16 | 60318 | 2 | Nut, 8-32 Hex, G5 | |
| 17 | 60406 | 2 | Screw, 8-32 x 1.0 pan Phillips, G2 | |
| 18 | 37823B | 1 | Box, control - Powerzone | |

CONTROL BOX ASSEMBLY - POWERZONE OPTION (2 OF 2)

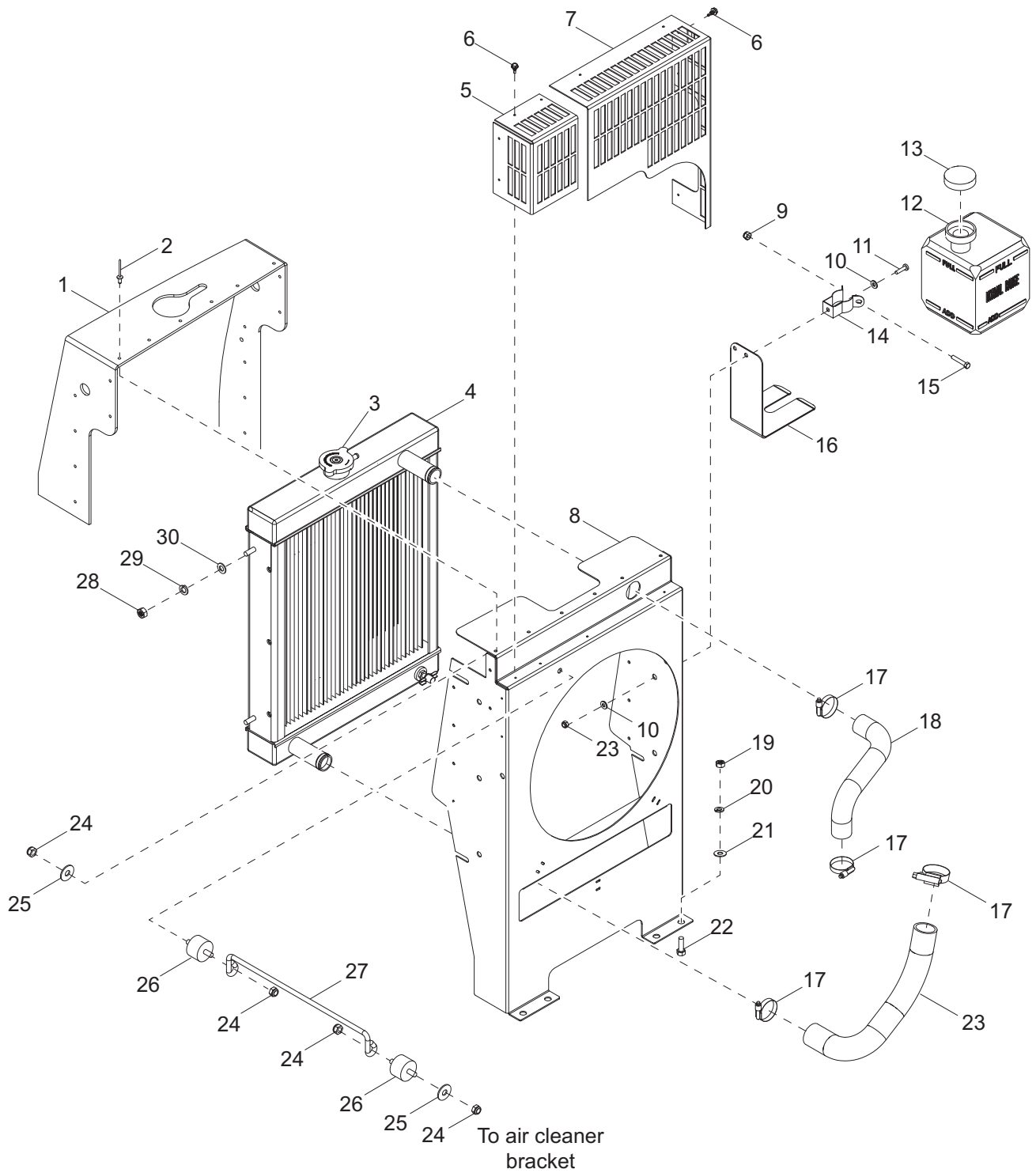


02346

CONTROL BOX ASSEMBLY - POWERZONE OPTION (2 OF 2)

| Item | Part No. | Qty | Description | Notes |
|------|----------|-----|---|--------------------|
| 1 | 70137 | 1 | Controller, Deep Sea - programmed | |
| 2 | 37823B | 1 | Box, Powerzone control panel | |
| 3 | 60277 | 6 | Screw, 10-32 x .500 pan Phillips, G2 | |
| 4 | 38413B | 1 | Cover, control panel box | |
| 5 | 62234 | 6 | Insert, 10-32 hex, .020-.130 grip, threaded | |
| 6 | 16300 | 2 | Nut, .750 Romex strain relief | |
| 7 | 63231 | 4 | Insert, .250-20 hex, .027-.165 grip, threaded | |
| 8 | 65959 | 2 | Capacitor, dual 24 μ F sealed stud mount | |
| 9 | 36980 | 1 | Capacitor, 25 μ F, 5% 440VAC, sealed stud mount | |
| 10 | 60243 | 4 | Washer, .250 flat .735/.060 | |
| 11 | 60286 | 4 | Washer, .250 split lock | |
| 12 | 60647 | 4 | Screw, .250-20 x .500 hex, G5 | |
| 13 | 60148 | 3 | Nut, M12-1.75 serrated flange, G8.8 | |
| 14 | 61066 | 4 | Screw, .312-18 x 1.0 carriage - SS | |
| 15 | 38409B | 1 | Bracket, control box mounting | |
| 16 | 60119 | 4 | Washer, .312 flat .875/.070 | |
| 17 | 60095 | 4 | Nut, .312-18 serrated flange - case hardened | |
| 18 | 14219 | 2 | Strain relief, .75 Romex with nut | |
| 19 | 66695 | 1 | Connector, Duetsch 12 position - flange DT | |
| 20 | 14130 | 1 | Receptacle, 120V/20A GFI | |
| 21 | 37017 | 1 | Cover, receptacle 20A GFCI single - weatherproof | |
| 22 | 36939 | 1 | Cover, receptacle 20/30A - weatherproof | |
| 23 | 62210 | 6 | Screw, 8-32 x .500 pan Phillips - SS | |
| 24 | 14137 | 1 | Receptacle, 250V/ 30A twist | |
| 25 | 60728 | 6 | Nut, 6-32 nylock, G5 | |
| -- | 68534 | 1 | Harness, control box Powerzone | replaces p/n 68284 |
| -- | 68535 | 1 | Harness, gen to control box Powerzone | replaces p/n 68283 |
| -- | 68844 | 1 | Harness, engine Powerzone | replaces p/n 37034 |

COOLING SYSTEM ASSEMBLY

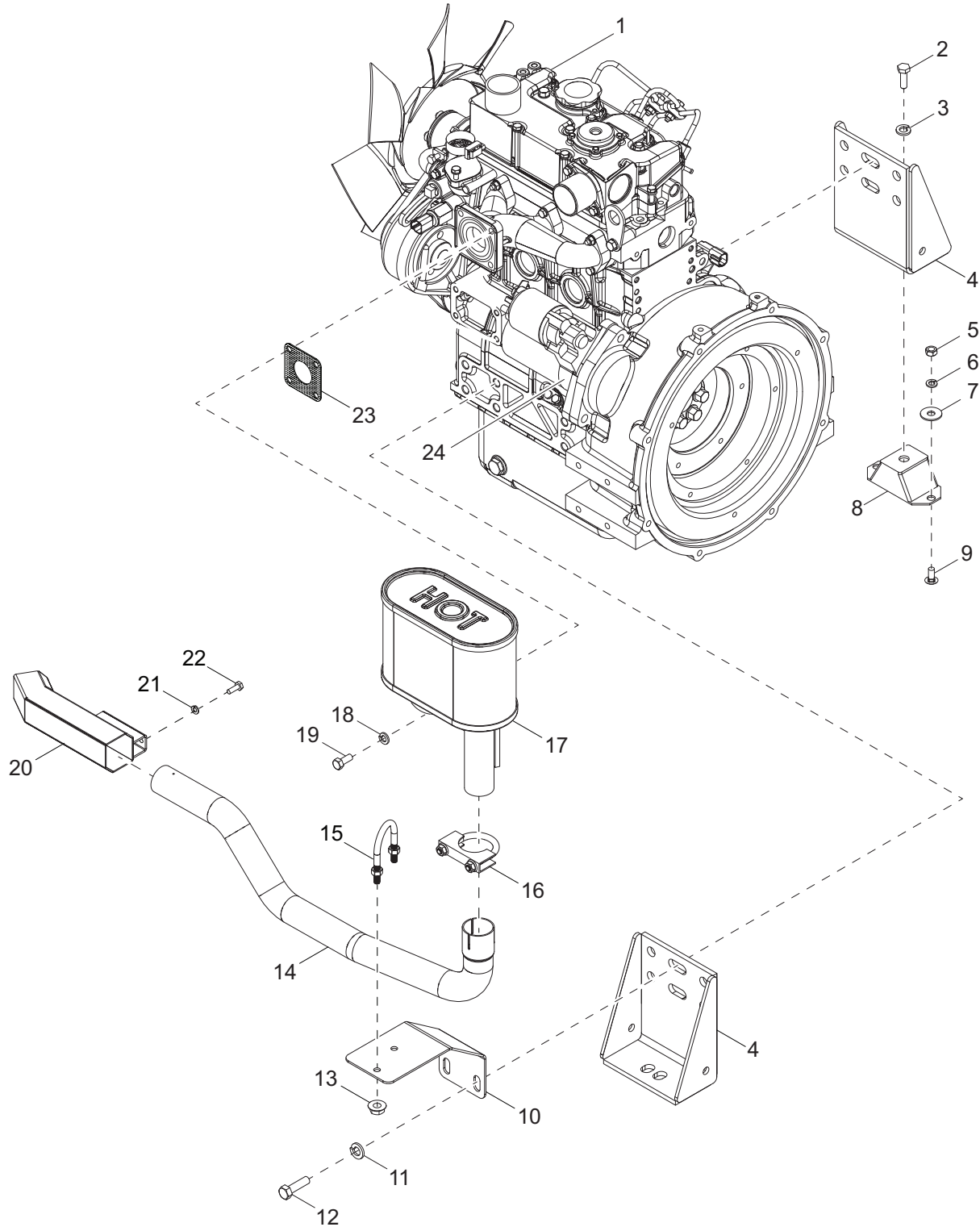


02451

COOLING SYSTEM ASSEMBLY

| Item | Part No. | Qty | Description | Notes |
|------|-------------|-----|--|-------|
| 1 | 36979 | 1 | Seal, rubber, cooling | |
| 2 | 60195 | 18 | Rivet, .188 dia. x .375 to .500 grip, large flange | |
| 3 | 19219 | 1 | Cap, radiator pressure small - 14.7 psi | |
| 4 | 10000020162 | 1 | Radiator | |
| 5 | 36227B | 1 | Guard, fan, left | |
| 6 | 60364 | 9 | Screw, 10-16x5.0 std hex, G2 | |
| 7 | 72161B | 1 | Guard, fan, right | |
| 8 | 21321B | 1 | Fan shroud | |
| 9 | 60144 | 1 | Nut, .250-20 nylock, G5 | |
| 10 | 60067 | 4 | Washer, #10 flat .435/.060, SS | |
| 11 | 61180 | 2 | Screw, 10-32 x .750 pan Phillips, SS | |
| 12 | 20287 | 1 | Jug, overflow 2 qt. (.5 gal) | |
| 13 | 19714 | 1 | Cap, overflow jug | |
| 14 | 19726 | 1 | Clamp, overflow bottle | |
| 15 | 60414 | 1 | Screw, .250-20 x 1.50 standard hex, G5 | |
| 16 | 22419B | 1 | Bracket, support overflow jug .5 gallon | |
| 17 | 15422 | 4 | Clamp, hose - SAE 020 (.75-1.75) | |
| 18 | 31543 | 1 | Hose, radiator - upper | |
| 19 | 60285 | 14 | Nut .312-18 hex, G2 | |
| 20 | 60271 | 21 | Washer, .312 split lock | |
| 21 | 60119 | 24 | Washer .312 flat .875/.070 | |
| 22 | 61066 | 4 | Screw, .312-18 x 1.00 carriage 18-8 SS | |
| 23 | 31542 | 1 | Hose, radiator - lower | |
| 24 | 62079 | 4 | Nut, .312-18 nylock jam | |
| 25 | 60119 | 2 | Washer, .312 flat .875/.070 | |
| 26 | 34052 | 2 | Isolator, rubber 1.50 x 1.0, 5/16-18 studs | |
| 27 | 36989 | 1 | Rod, radiator stay | |
| 28 | 60032 | 4 | Nut, M8-1.25 hex, G8.8 | |
| 29 | 60029 | 2 | Washer, M8 split lock | |
| 30 | 60166 | 2 | Washer, M8 flat | |

ENGINE ASSEMBLY (1 OF 2)



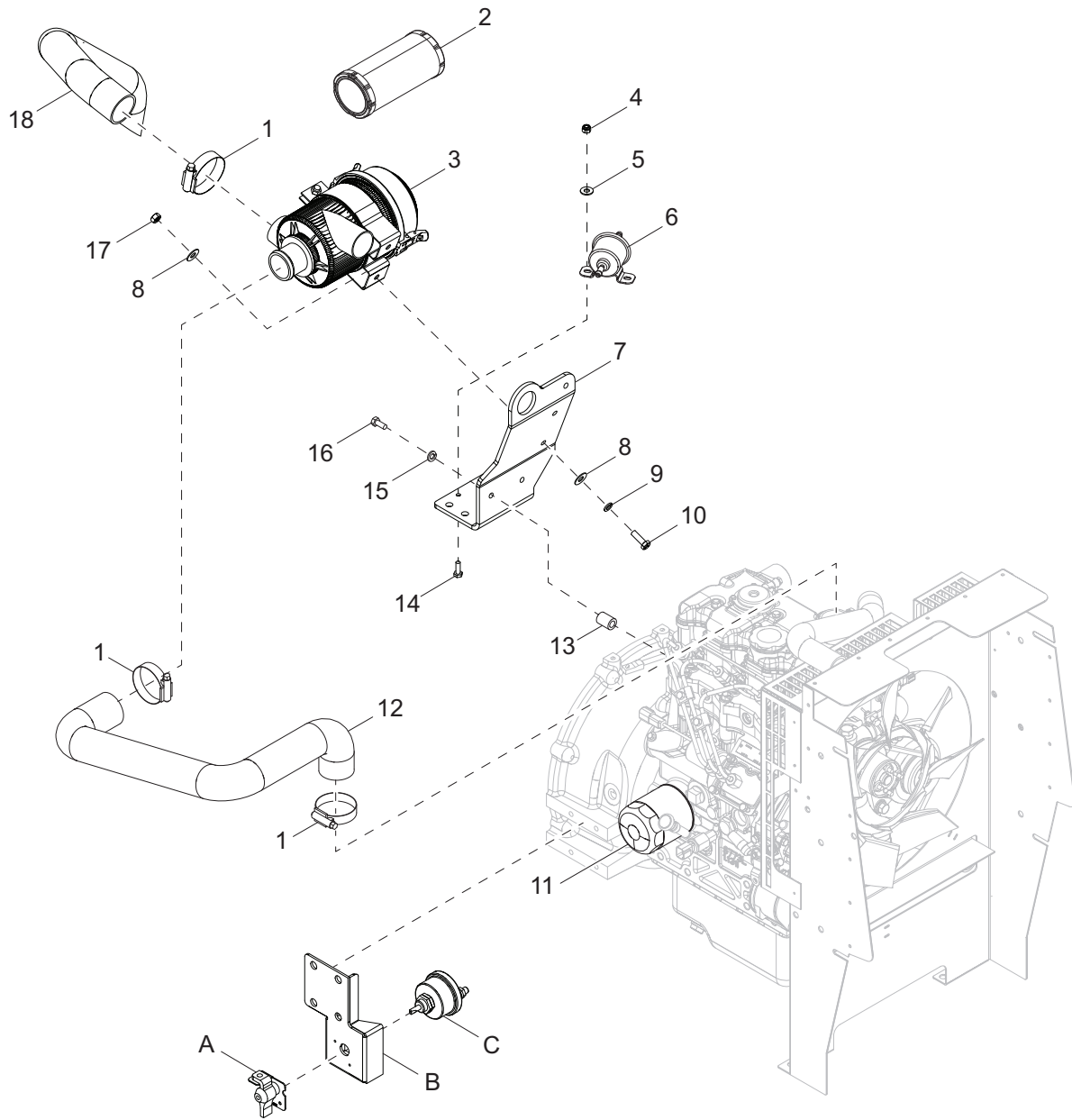
02452

ENGINE ASSEMBLY (1 OF 2)

| Item | Part No. | Qty | Description | Notes |
|------|-------------|-----|---|-------|
| 1 | 73190 | 1 | Engine, Caterpillar C1.1, TF4 | |
| 2 | 60275 | 4 | Screw, .500-13 x 1.0 hex, G5 | |
| 3 | 60702 | 4 | Washer, .500 split lock, SS | |
| 4 | 12058B | 2 | Weldment, engine mount | |
| 5 | 60285 | 4 | Nut, .312-18 hex, G2 | |
| 6 | 60271 | 4 | Washer, .312 split lock | |
| 7 | 60119 | 4 | Washer, .312 flat .875/.070 | |
| 8 | 15241 | 2 | Isolator, 80-200 lbs - 2 inch WD | |
| 9 | 61066 | 4 | Screw, .312-18 x 1.0 carriage, SS | |
| 10 | 10000025229 | 1 | Bracket, side exhaust | |
| 11 | 60026 | 8 | Washer, M10 split lock | |
| 12 | 60422 | 8 | Screw, M10-1.25 x 25 standard hex, G8.8 | |
| 13 | 60095 | 2 | Nut, .312-18 serrated flange | |
| 14 | 10000024188 | 1 | Pipe, side exhaust | |
| 15 | 61235 | 1 | U-bolt, .312-18 x 2.688 x 2.063 | |
| 16 | 68082 | 1 | Clamp, muffler - 1.63 | |
| 17 | 17426 | 1 | Muffler | |
| 18 | 60029 | 4 | Washer, M8 split lock | |
| 19 | 60165 | 4 | Screw, M8-1.250 x 16 hex, G10.9 | |
| 20 | 76924B | 1 | Shield, exhaust | |
| 21 | 60286 | 2 | Washer, .250 split lock | |
| 22 | 60281 | 2 | Screw, .250-20 x .750 standard hex, G5 | |
| 23 | 11042SRV | 1 | Gasket, muffler | |
| 24 | 39843 | 1 | Starter | |
| -- | 75007 | 1 | Harness, main | |

Note: Engine and generator parts used in all Generac Mobile Products, LLC equipment carry the Original Equipment Manufacturer (OEM) warranty unless otherwise stated. OEM warranty parts must be purchased through an OEM dealer. Please contact Generac Mobile Products, LLC with questions.

ENGINE ASSEMBLY (2 OF 2)



02453

ENGINE ASSEMBLY (2 OF 2)

| Item | Part No. | Qty | Description | Notes |
|------|----------|-----|---|-------------|
| 1 | 60316 | 3 | Clamp, hose - SAE 032 (1.56-2.50) | |
| 2 | 16444 | 1 | Element, air filter | |
| 3 | 34066 | 1 | Filter, air, w bracket | incl. 16444 |
| 4 | 60144 | 2 | Nut, .250-20 nylock, G5 | |
| 5 | 60243 | 2 | Washer, .250 flat .735/.060 | |
| 6 | 12994 | 1 | Fuel pump, electric | |
| 7 | 17062B | 1 | Bracket, air cleaner | |
| 8 | 60119 | 6 | Washer, .312 flat .875/.070 | |
| 9 | 60271 | 4 | Washer, .312 split lock | |
| 10 | 60028 | 2 | Screw, .312-18 x 1.00 standard hex, G5 | |
| 11 | 39842 | 1 | Filter, oil | |
| 12 | 31541 | 1 | Hose, air | |
| 13 | 41235ZY | 2 | Spacer, .750OD x .44ID x 1.0 long | |
| 14 | 60281 | 2 | Screw, .250-20 x .750 standard hex, G5 | |
| 15 | 60206 | 2 | Washer, .375 split lock - hardened | |
| 16 | 65719 | 2 | Screw, M8-1.25 x 45 standard hex, G10.9 | |
| 17 | 60285 | 4 | Nut, .312-18 hex, G2 | |
| 18 | 10434 | 1 | Hose, air intake | |

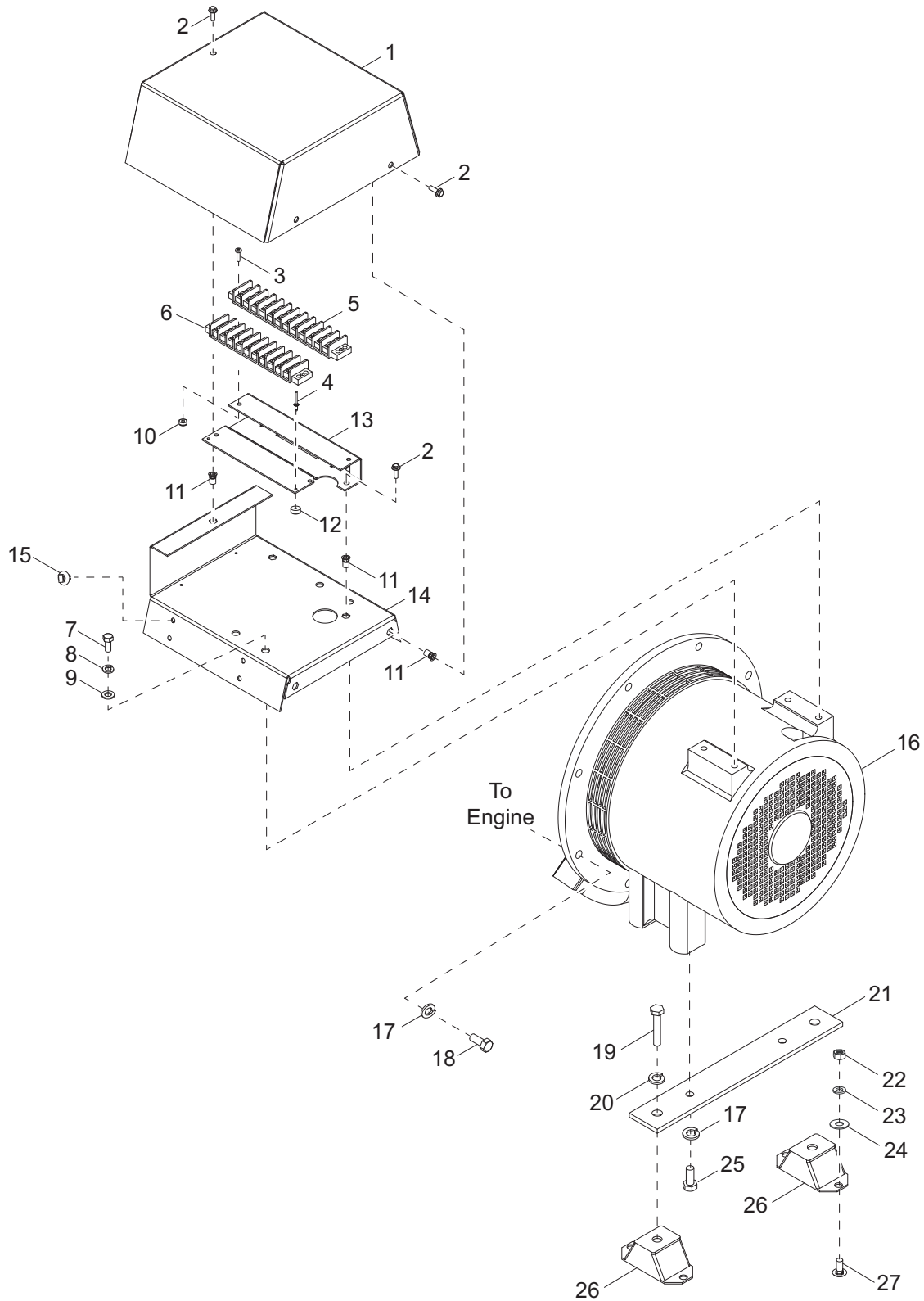
OPTIONAL FEATURES

Battery Disconnect

| | | | |
|---|-------------|---|-----------------------------|
| A | 65499 | 1 | Switch lockout lever kit |
| B | 10000008538 | 1 | Bracket, battery disconnect |
| C | 65498 | 1 | Switch, disconnect |

Note: Engine and generator parts used in all Generac Mobile Products, LLC equipment carry the Original Equipment Manufacturer (OEM) warranty unless otherwise stated. OEM warranty parts must be purchased through an OEM dealer. Please contact Generac Mobile Products, LLC with questions.

GENERATOR ASSEMBLY



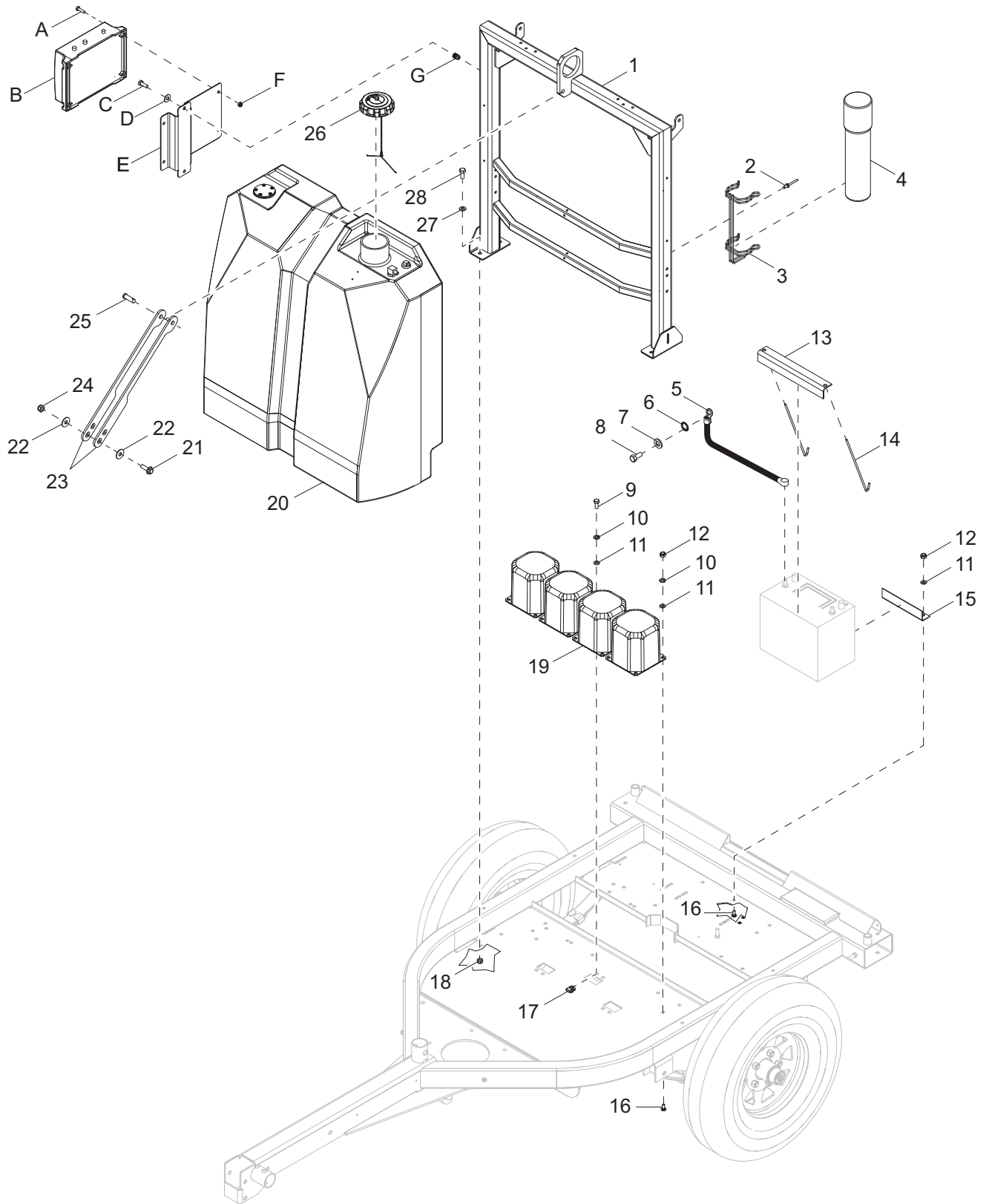
02442

GENERATOR ASSEMBLY

| Item | Part No. | Qty | Description | Notes |
|------|-------------|-----|--|----------------------|
| 1 | 17994B | 1 | Cover, generator, Marathon | |
| 2 | 60175 | 5 | Screw, .250-20x.500 serrated flange hex, G5 | |
| 3 | 60062 | 4 | Screw, 10-32 x .750 pan Phillips, G2 | |
| 4 | 60267 | 2 | Rivet, .125 dia x .191 to .270 grip | |
| 5 | 14139 | 1 | Block terminal - 12 position | |
| 6 | 14203 | 1 | Block terminal - 10 position | |
| 7 | 61082 | 4 | Screw, M8-1.25 x 20 serrated flange hex | |
| 8 | 60271 | 4 | Washer, .312 split lock | |
| 9 | 60243 | 4 | Washer, .250 flat .735/.060 | |
| 10 | 60061 | 4 | Nut, 10-32 nylock | |
| 11 | 63231 | 9 | Insert, threaded .250-20 hex .027-.165 grip | |
| 12 | 15215 | 2 | Rubber bumper | |
| 13 | 36942B | 1 | Bracket, terminal strip | |
| 14 | 54254B | 1 | Plate, electric junction | |
| 15 | 66685 | 8 | Mount cable tie, fir tree, .25-.28 dia, .031-.276 grip | |
| 16 | 10000020581 | 1 | Generator, Marathon, 6kW, 60Hz, cap | |
| 17 | 60206 | 8 | Washer, .375 split lock | |
| 18 | 60352 | 8 | Screw, .375-16x1.250 standard hex, G5 | |
| 19 | 60275 | 2 | Screw, .500-13 x 1.00 standard hex, G5 | |
| 20 | 60702 | 2 | Washer, .500 split lock, SS | |
| 21 | 15045B | 1 | Bracket, generator mounting | |
| 22 | 60285 | 4 | Nut, .312-18 hex, G2 | |
| 23 | 60271 | 4 | Washer, .312 split lock | |
| 24 | 60119 | 4 | Washer, .312 flat .875/.070 | |
| 25 | 60352 | 2 | Screw, .375-16 x 1.250 standard hex, G5 | |
| 26 | 15241 | 2 | Isolator, rubber - 80-200 lb | |
| 27 | 61066 | 4 | Screw, .312-18 x 1.00 carriage, SS | |
| -- | 60168 | 6 | Screw, .312-18 x .750 standard hex, G5 | For flex plate mount |
| -- | 60166 | 18 | Washer, M8 flat DIN 125 hardened | 3 each w/60168 |

Note: Engine and generator parts used in all Generac Mobile Products, LLC equipment carry the Original Equipment Manufacturer (OEM) warranty unless otherwise stated. OEM warranty parts must be purchased through an OEM dealer. Please contact Generac Mobile Products, LLC with questions.

COMPONENTS TO TRAILER ASSEMBLY



02454

COMPONENTS TO TRAILER ASSEMBLY

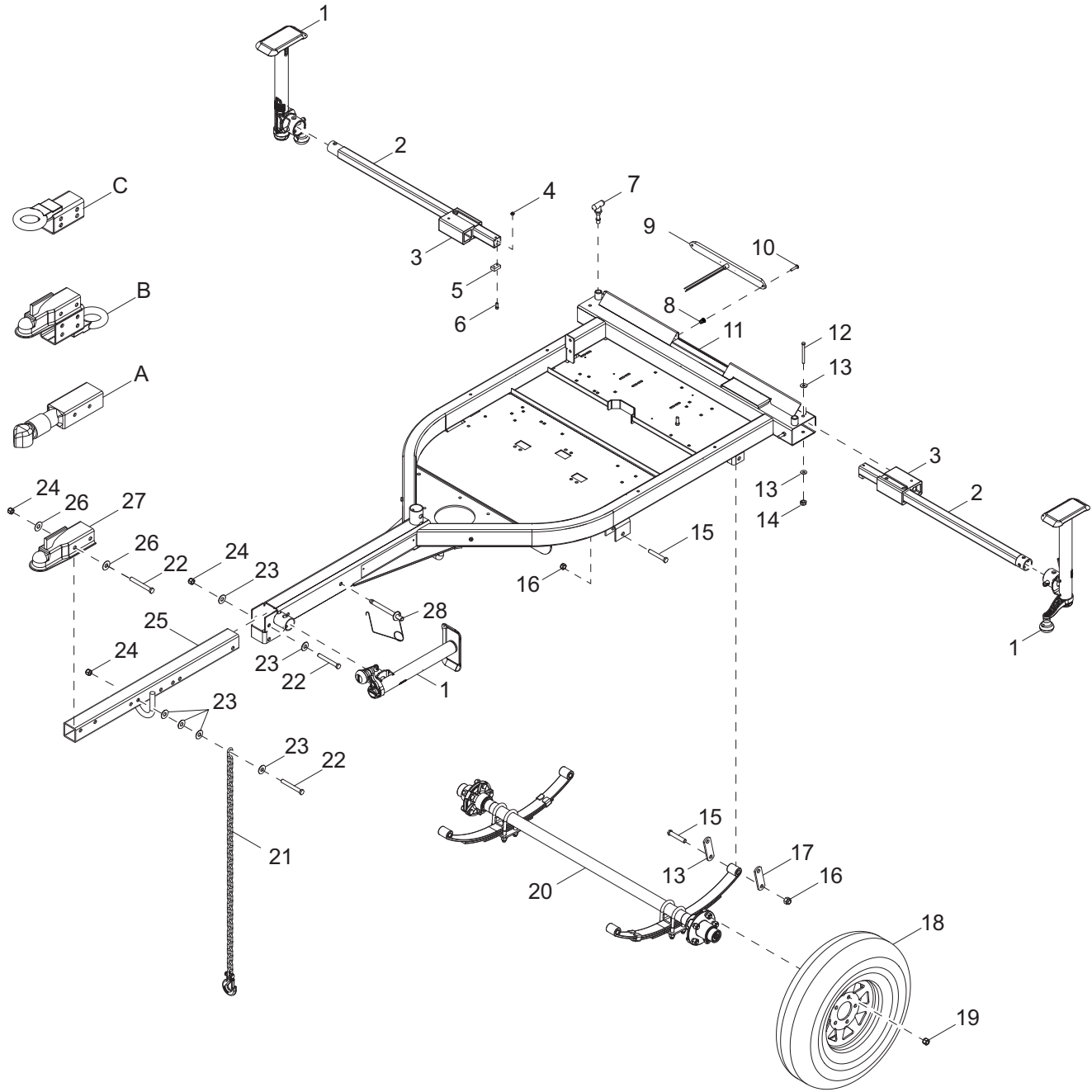
| Item | Part No. | Qty | Description | Notes |
|------|-------------|---------|--|-------|
| 1 | 10000023283 | 1 | Weldment, lift support | |
| 2 | 60195 | 2 | Rivet, .188 dia. x .375 to .500 grip | |
| 3 | 11222 | 1 | Bracket, manual holder | |
| 4 | 11121 | 1 | Manual holder tube, black 14 inch | |
| 5 | 10699 | 1 | Cable, battery - 24" 4GA , .375 lug, black | |
| 6 | 60747 | 1 | Washer, .375 internal star | |
| 7 | 60026 | 1 | Washer, M10 split lock | |
| 8 | 60495 | 1 | Screw, M10-1.25 x 16 hex, G8.8 | |
| 9 | 60028 | 6 | Screw, .312-18 x 1.0 standard hex, G5 | |
| 10 | 60271 | 8 | Washer, .312 split lock | |
| 11 | 60119 | 8 | Washer, .312 flat .875/.07 | |
| 12 | 60285 | 3 | Nut, .312-18 hex, G2 | |
| 13 | 12924B | 1 | Angle, battery hold-down | |
| 14 | 60820 | 2 | Bolt, J - .250-20 x 9.0 | |
| 15 | 17992B | 1 | Bracket, battery stop | |
| 16 | 61066 | 3 | Screw, .312-18 x 1.0 carriage, SS | |
| 17 | 62086 | 6 | Nut, .312-18 U-clip, short-type | |
| 18 | 60358 | 4 | Nut, .375-16 nylock, G5 | |
| 19 | 10656SRV | 4 | Assembly, transformer - can and base - 60Hz-MH | |
| 20 | 69919 | 1 | Tank, fuel - 42 gal with sending unit | |
| 21 | 60484 | 2 | Screw, .500-13 x 2.0 standard hex, G5 | |
| 22 | 60309 | 4 | Washer, .500 flat 1.060/.090 | |
| 23 | 39660B | 2 | Bar, chassis support | |
| 24 | 62221 | 2 | Nut, .500-13 nylock, G5 | |
| 25 | 63325 | 1 | Pin, clevis - .500 dia. x 1.063 UL, ZP | |
| 26 | 16326 | 1 | Cap, fuel, 3.5 dia., diesel, vent w/tether | |
| 27 | 60386 | 4 | Washer, .375 flat .993-.064 | |
| 28 | 60352 | 4 | Screw, .375-16 x 1.250 standard hex, G5 | |
| -- | 50018 | 5 ft | Hose, fuel - .312 ID, 50 psi, SAE 30R7 | |
| -- | 60777 | 2 | Clamp, hose - .312 fuel hose, crimp style | |
| -- | 14211 | 4.25 ft | Hose, fuel - .188, 50 psi, SAE 30R7 | |
| -- | 60778 | 2 | Clamp, hose - .188 fuel hose, crimp style | |

OPTIONAL FEATURES

Battery Charger

| | | | |
|---|--------|---|--|
| A | 60062 | 4 | Screw, 10-32 x .750 pan Phillips, G2 |
| B | 66212 | 1 | Charger, battery 2-5A/1-10A, 3 stage, 2 output |
| C | 60281 | 2 | Screw, .250-20 x .750 hex, G5 |
| D | 60243 | 2 | Washer, .250 flat .735/.060 |
| E | 73218B | 1 | Bracket, battery charger |
| F | 60415 | 4 | Nut, 10-32 nylock |
| G | 63132 | 2 | Insert, .250-20 splined, .027-.165 |

TRAILER ASSEMBLY



02444

TRAILER ASSEMBLY

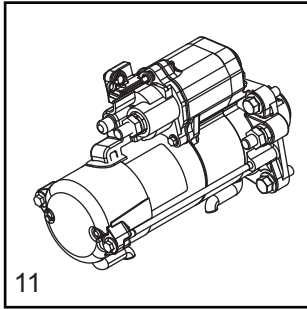
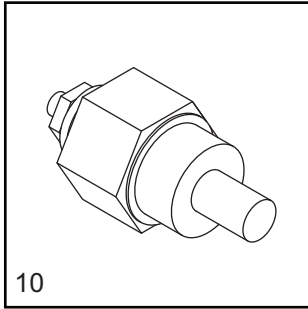
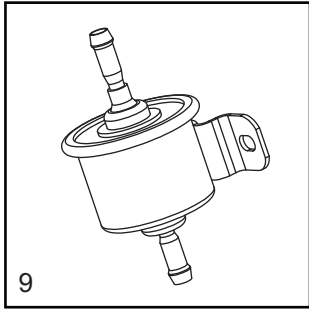
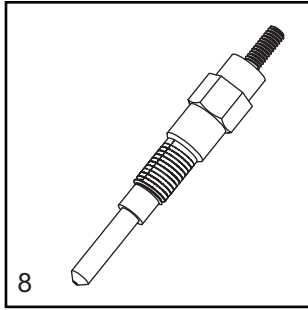
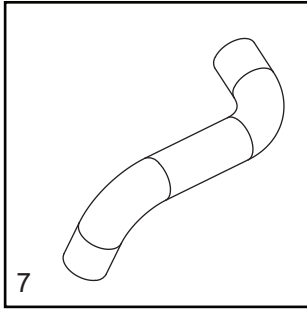
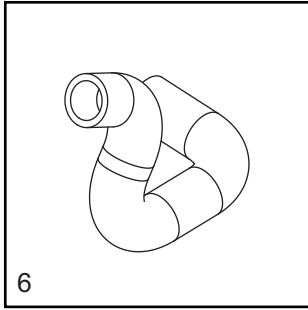
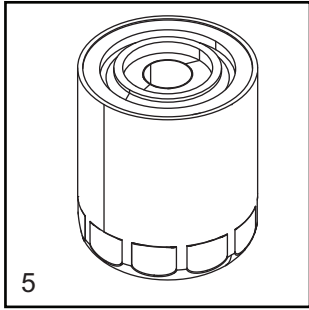
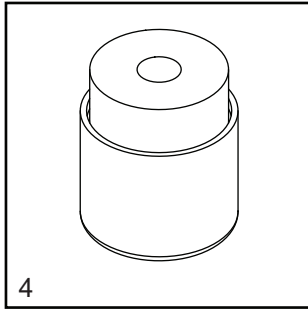
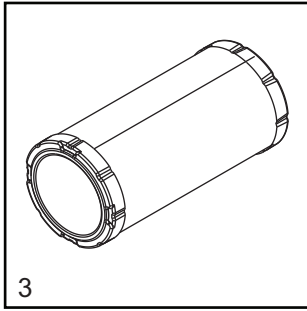
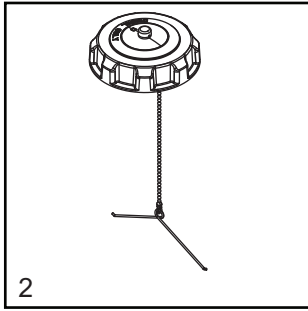
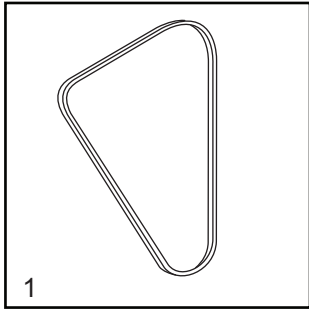
| Item | Part No. | Qty | Description | Notes |
|------|-------------|-----|---|-------|
| 1 | 72126 | 3 | Jack, top wind - 1200 lb, tube mounted | |
| 2 | 70230ZY | 2 | Weldment, outrigger tube | |
| 3 | 36869 | 2 | Guide block (molded) - outrigger | |
| 4 | 60144 | 4 | Nut, .250-20 nylock, G5 | |
| 5 | 72128 | 2 | Pad/stop, wear - outrigger | |
| 6 | 73196 | 4 | Screw, .250-20 x 2.25 socket head | |
| 7 | 36890 | 3 | Spring pin, handle | |
| 8 | 73092 | 4 | Insert, #8-32 .020-.080 grip - close sealed | |
| 9 | 36960 | 2 | Assembly, tail light | |
| 10 | 60694 | 4 | Screw, 8-32 x .750 pan Phillips | |
| 11 | 10000021817 | 1 | Weldment, lt chassis | |
| 12 | 60404 | 2 | Screw, .312-18 x 4.00 standard hex, G5 | |
| 13 | 60119 | 4 | Washer, .312 flat .875/.070 | |
| 14 | 60303 | 2 | Nut, .312-18, nylock, G2 | |
| 15 | 60503 | 6 | Screw, shackle, .562-18 x 3.00 standard hex, G5 | |
| 16 | 60504 | 6 | Nut, .562-18 lock hex, G5 | |
| 17 | 19637 | 4 | Plate, shackle bracket - 3.125" | |
| 18 | 15976B | 2 | Wheel, ST175/8013 - 1360 lb | |
| 19 | 60096 | 10 | Nut, .500-20 lug, G5 | |
| 20 | 34760 | 1 | Axle, 2200lb 47TC 35SC | |
| 21 | 23367 | 2 | Chain, safety - 7800 lbs rated | |
| 22 | 50215 | 5 | Screw, .500-13 x 4.00 standard hex, G5 | |
| 23 | 60416 | 10 | Washer, .500 flat 1.375/.090 | |
| 24 | 62221 | 5 | Nut, .500-13 nylock, G5 | |
| 25 | 17969B | 1 | Weldment, tilt tongue | |
| 26 | 60309 | 4 | Washer, .500 flat 1.060/.090 | |
| 27 | 16830 | 1 | Coupler, 2.00 ball/2.50 channel | |
| 28 | 33943 | 2 | Pin, locking .500 x 3.50 | |
| -- | 68348 | 1 | Harness, trailer wiring, tandem tow | |
| -- | 68324 | 1 | Harness, trailer enclosure front | |
| -- | 10000020727 | 1 | Assembly, harness extension loomed | |

OPTIONAL FEATURES

Hitch Options

| | | | |
|----|---------|---|--|
| A | 13003B | 1 | Coupler, 2.00 ball/3.00 channel, Bulldog |
| B | 34792ZC | 1 | Weldment, combination hitch - 2.50 tongue |
| C | 16835B | 1 | Weldment, lunette ring 3.00 ID - 2.50 tongue |
| -- | 65548 | 1 | Adapter, 4 pin flat to 4 pin flat x 12.00 |

RECOMMENDED SPARE PARTS - ENGINE AND SERVICE KITS

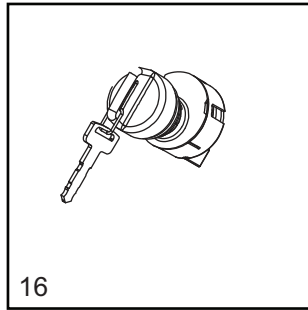
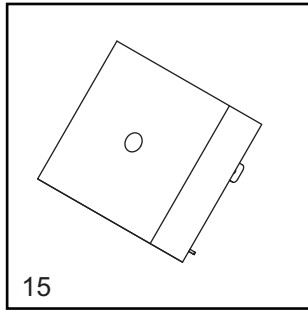
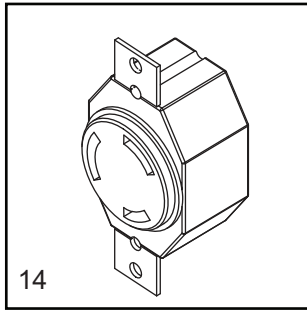
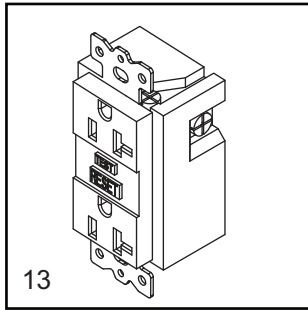
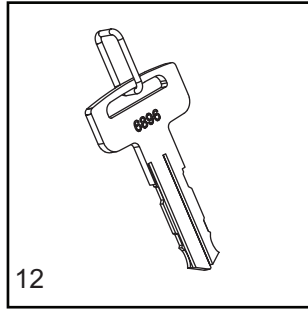
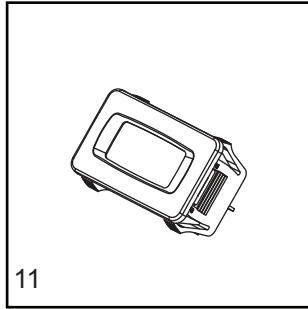
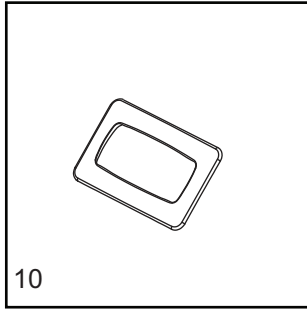
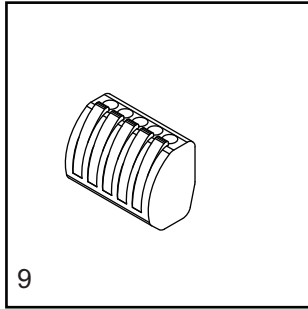
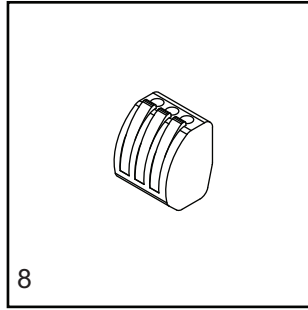
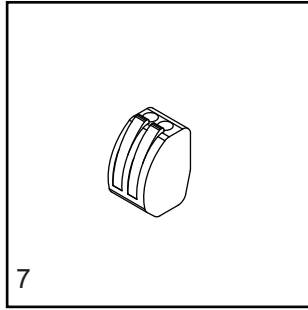
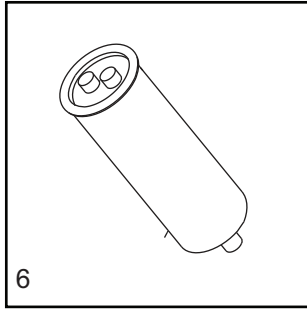
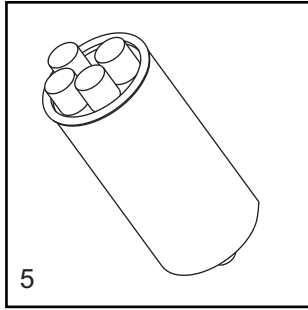
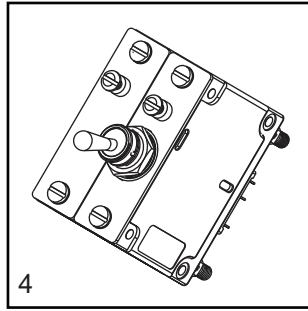
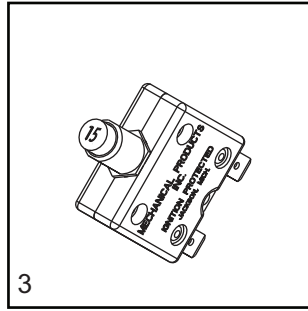
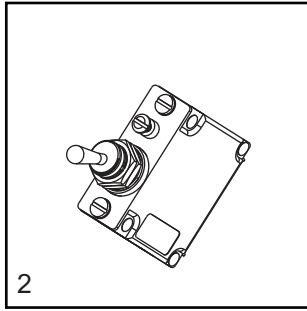
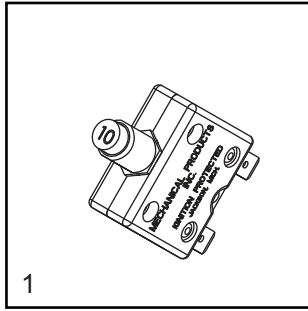


RECOMMENDED SPARE PARTS - ENGINE AND SERVICE KITS

ENGINE

| | |
|--------------------------------------|-------|
| 1. Belt | 39839 |
| 2. Cap, fuel tank with lanyard | 16326 |
| 3. Filter, air (element)..... | 16444 |
| 4. Filter, fuel element | 39840 |
| 5. Filter, oil | 39842 |
| 6. Hose, lower radiator | 31542 |
| 7. Hose, upper radiator..... | 31543 |
| 8. Plug, glow | 16693 |
| 9. Pump, fuel | 12994 |
| 10. Sender, coolant temp..... | 12873 |
| 11. Starter | 39843 |

RECOMMENDED SPARE PARTS - ELECTRICAL

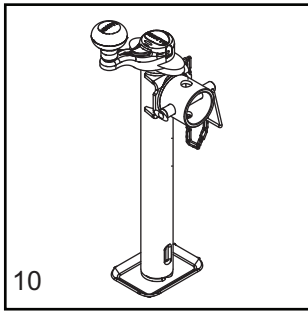
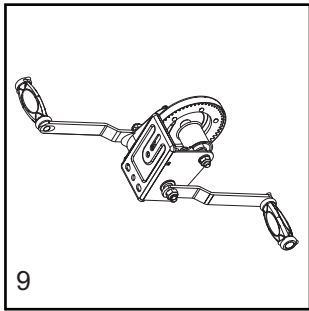
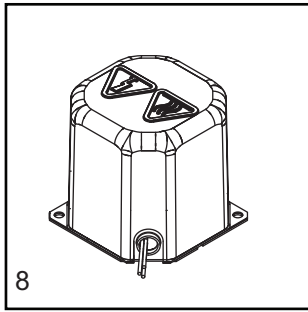
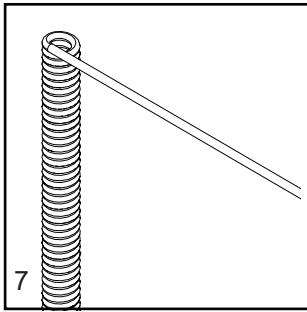
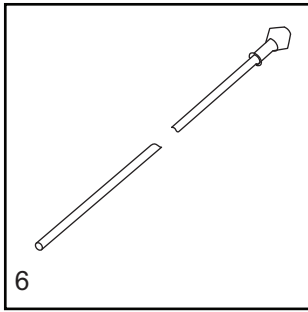
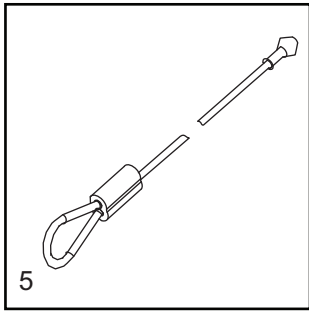
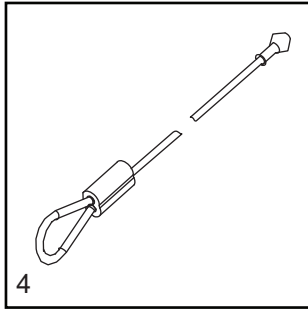
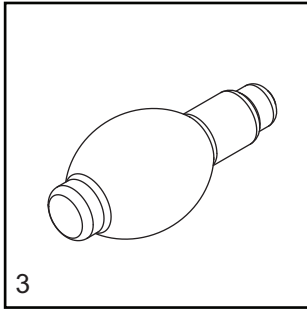
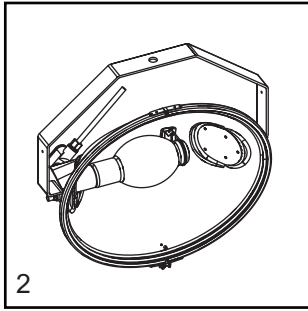
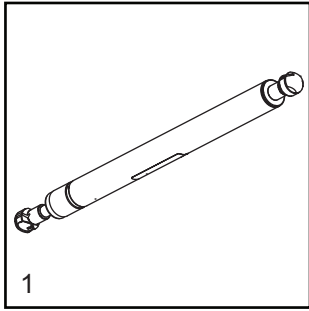


RECOMMENDED SPARE PARTS - ELECTRICAL

ELECTRICAL

| | |
|---|-------|
| 1. Breaker, 10A, 240V, 1 pole, push button | 36937 |
| 2. Switch, light - 15A | 36880 |
| 3. Breaker, 15A, 120V, 1 pole, push button, 8kW | 36935 |
| 4. Breaker, 30A, 250A, 2 pole, 6kW | 36975 |
| 5. Capacitor, 24 μ F, dual..... | 65959 |
| 6. Capacitor, 25 μ F, 440V, 6kW | 36980 |
| 7. Connector, 2 position (qty - 4) | 66100 |
| 8. Connector, 3 position (qty - 2) | 66101 |
| 9. Connector, 5 position (qty - 1) | 66102 |
| 10. Gasket, hour meter..... | 36944 |
| 11. Gauge, hour meter..... | 36886 |
| 12. Key (set of two)..... | 37182 |
| 13. Receptacle, 120V/20A GFI | 14130 |
| 14. Receptacle, 240V/30A twist..... | 14137 |
| 15. Relay, 10A SPDT, 15 second time delay | 14201 |
| 16. Switch, key | 36882 |

RECOMMENDED SPARE PARTS - MISC



ENCLOSURE

1. Gas shock..... 35137

MAST

- 2. Assembly, light fixture, hard wired 1000008620
- 3. Bulb 1000008611
- 4. Cable, 79.75 in 31248
- 5. Cable, 78 in 31277
- 6. Cable, 144 in 31247
- 7. Coil cord 39650
- 8. Transformer (incl. cover)..... 10656SRV
- 9. Winch, manual, includes dual handle 72127

JACKS

10. Jack, top wind, 1200 lb 72126

This Page Intentionally Left Blank

Part No. 76182 Rev. B 01/05/2018

©2018 Generac Mobile Products, LLC
All rights reserved.

Specifications are subject to change without notice.
No reproduction allowed in any form without prior written consent
from Generac Mobile Products, LLC.

GENERAC

**MOBILE
PRODUCTS**

Generac Mobile Products, LLC
215 Power Drive, Berlin, WI 54923

GeneracMobileProducts.com | 800-926-9768 | 920-361-4442